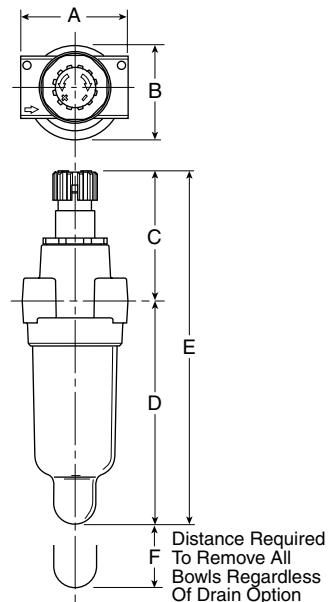


04L Mist Lubricators – Miniature



Features

- Proportional oil delivery over a wide range of air flows
- Precision needle valve assures repeatable oil delivery and provides simple adjustment of delivery rate
- Ideal for low and high flow applications with changing air flow
- Transparent sight dome for 360° visibility
- High flow: 1/8" – 20 SCFM§
 1/4" – 20 SCFM§



Distance Required To Remove All Bowls Regardless Of Drain Option

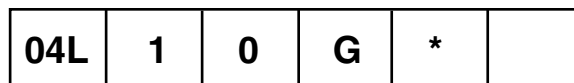
Port Size	NPT	
	Twist Drain	No Drain
Poly Bowl ‡		
1/8"	—	04L00G*
1/4"	—	04L10G*
Metal Bowl without Sight Gauge		
1/8"	04L03G*	—
1/4"	04L13G*	—

04L Lubricator Dimensions		
A 1.73 (44)	B 1.56 (40)	C 2.16 (55)
D 3.64 (92)	D† 3.78 (96)	E 5.80 (147)
E† 5.94 (151)	F 1.60 (41)	

Standard part numbers shown bold.
 For other models refer to ordering information below.
 ‡ For polycarbonate bowl see Caution on inside cover.
 § SCFM = Standard cubic feet per minute at 90 PSIG inlet and 5 PSIG pressure drop.

Inches (mm)
 † With Twist Drain.

Ordering Information



Port Size
0 1/8 Inch
1 1/4 Inch

Bowl Options	
<u>Polycarbonate Bowl</u>	<u>Metal Bowl</u>
0 Without Drain	3 Twist Drain
1 Twist Drain	

Body
G Without Tamperproof Cap. No Fill Plug

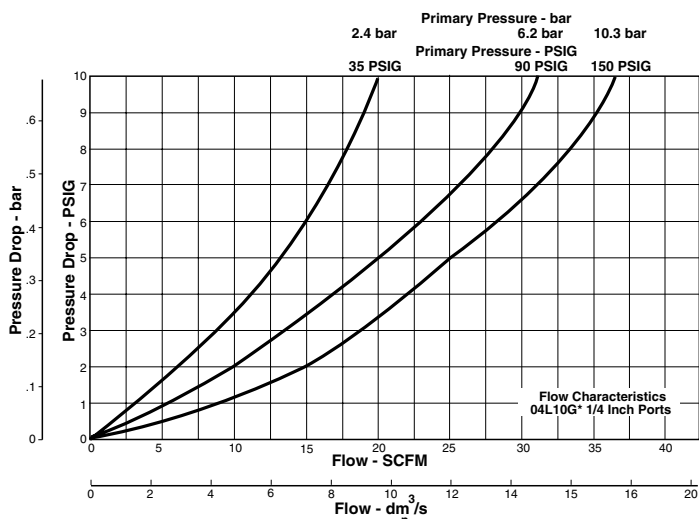
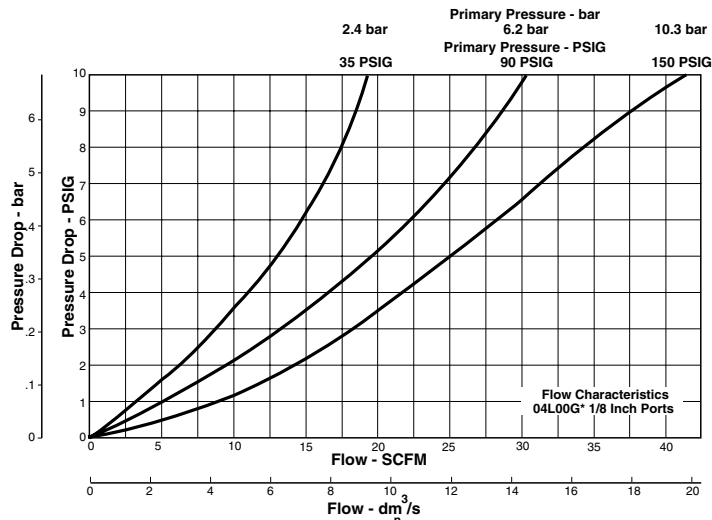
Engineering Change Designator
Will be Entered at Factory

Port Type	
Blank	NPT
1	BSPP
2	BSPT

BOLD ITEMS ARE MOST POPULAR.



Technical Information



04L Mist Lubricator Kits & Accessories

Bowl Kits –

- Poly Bowl –
- No DrainPS421
- Twist Drain.....PS420

- Metal Bowl –
- Twist Drain (No Sight Gauge) PS447B

Mounting Bracket Kit PS419

- Oil – 1 Gal..... F442002
- 12 Quart Case..... F442003
- 4 Gallon Case..... F442005

Specifications

Bowl Capacity1 Ounce

Minimum Flow for Lubrication 0.5 SCFM at 100 PSIG

Port Threads 1/8, 1/4 Inch

Pressure & Temperature Ratings –

- Polycarbonate Bowl 0 to 150 PSIG (0 to 10.3 bar)
32°F to 125°F (0°C to 52°C)

Metal Bowl 0 to 250 PSIG (0 to 17.2 bar)
32°F to 175°F (0°C to 80°C)

Suggested Lubricant –F442 Oil

Petroleum based oil of 100 to 200 SUS viscosity at
100°F and an aniline point greater than 200°F

(DO NOT USE OILS WITH ADDITIVES,
COMPOUNDED OILS CONTAINING SOLVENTS,
GRAPHITE, DETERGENTS, OR SYNTHETIC OILS.)

Weight0.4 lb. (0.18 kg)

Materials of Construction

Body Zinc

Bowls – Transparent Polycarbonate
Metal (Without Sight Gauge)..... Zinc

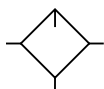
Drains – Twist – Body & Nut Plastic

Seals Nitrile

Sight Dome Polycarbonate

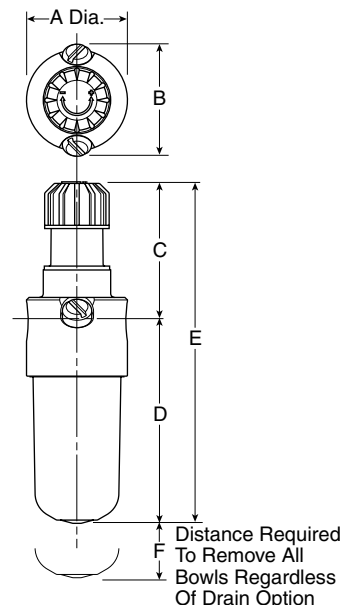


L508 Mist Lubricators – Miniature



Features

- Proportional oil delivery over a wide range of air flows
- Precision needle valve assures repeatable oil delivery and provides simple adjustment of delivery rate
- Ideal for low and high flow applications with changing air flow
- Polycarbonate sight dome for 360° visibility
- High flow: 1/8" – 20 SCFM§
 1/4" – 20 SCFM§



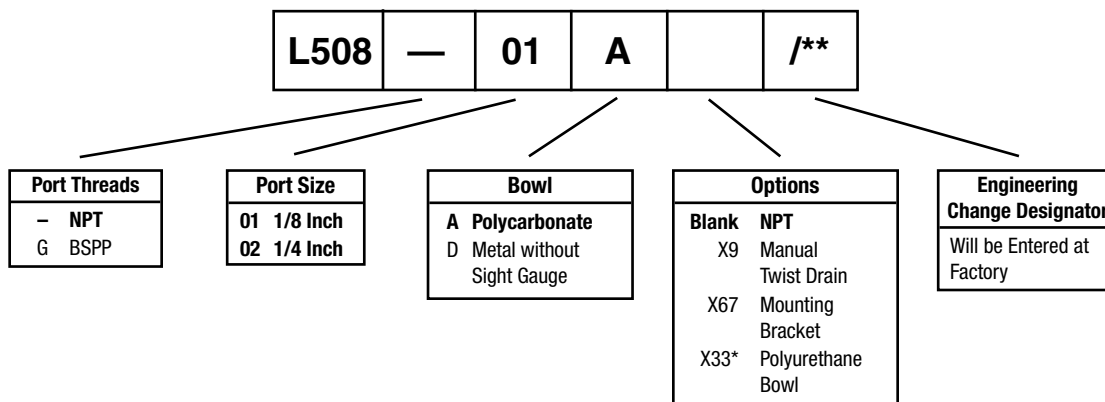
Port Size	NPT	
	No Drain	Twist Drain
Poly Bowl ‡		
1/8"	L508-01A	L508-01AX9
1/4"	L508-02A	L508-02AX9
Metal Bowl without Sight Gauge		
1/8"	L508-01D	L508-01DX9
1/4"	L508-02D	L508-02DX9

L508 Lubricator Dimensions		
A 1.55 (39.2)	B 1.74 (44)	C 2.21 (56)
D 3.10 (70.7)	D† 3.68 (93.5)	E 5.21 (132)
E† 5.79 (147)	F 1.70 (43)	

Standard part numbers shown bold.
 For other models refer to ordering information below.
 ‡ For polycarbonate bowl see Caution on inside cover.
 § SCFM = Standard cubic feet per minute at 90 PSIG inlet and 5 PSIG pressure drop.

Inches (mm)
 † With Twist Drain.

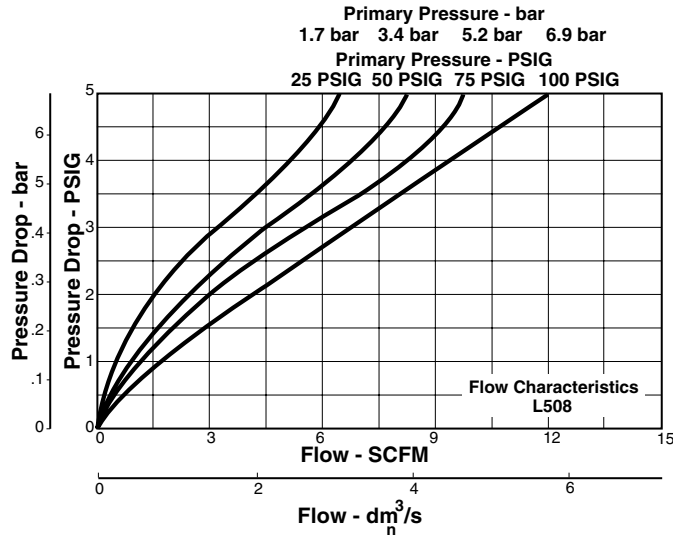
Ordering Information



* Add .65" to overall length.

BOLD ITEMS ARE MOST POPULAR.

Technical Information



L508 Mist Lubricator Kits & Accessories

Bowl Kits –

- Polycarbonate Bowl –
 - No Drain BK508Y
 - Manual Twist Drain BK504Y
- Metal Bowl –
 - No Drain BK509Y
 - Manual Twist Drain (No Sight Gauge)..... BK505Y

Mounting Bracket Kit Must Be Ordered with Lubricator

Oil –

- 1 Gal. F442002
- 12 Quart Case F442003
- 4 Gallon Case F442005

Specifications

- Bowl Capacity** 1 Ounce
- Minimum Flow for Lubrication** 0.5 SCFM at 100 PSIG
- Port Threads** 1/8, 1/4 Inch
- Pressure & Temperature Ratings –**
 - Polycarbonate Bowl – 0 to 150 PSIG (0 to 10.3 bar)
32°F to 125°F (0°C to 52°C)
 - Metal Bowl – 0 to 300 PSIG (0 to 20.4 bar)
40°F to 150°F (4°C to 65.6°C)

Suggested Lubricant – F442 Oil

Petroleum based oil of 100 to 200 SUS viscosity at 100°F and an aniline point greater than 200°F

(DO NOT USE OILS WITH ADDITIVES, COMPOUNDED OILS CONTAINING SOLVENTS, GRAPHITE, DETERGENTS, OR SYNTHETIC OILS.)

Weight 0.4 lb. (0.18 kg)

Materials of Construction

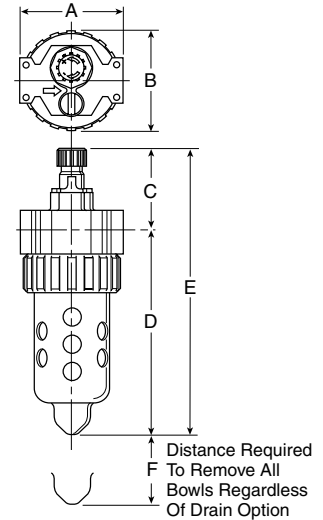
- Body** Aluminum
- Bowls –**
 - Polycarbonate Polycarbonate
 - Metal (Without Sight Gauge) Zinc
- Drains –**
 - Manual Twist..... Brass
- Seals** Nitrile
- Sight Dome** Polyurethane

L606 Micro-Mist Lubricators – Compact



Features

- Proportional oil delivery over a wide range of air flows
- Generates oil particles of 5 micron or smaller downstream to lubricate systems having complex piping arrangements
- Precision needle valve assures repeatable oil delivery and provides simple adjustment of delivery rate
- Ideal for low and high flow applications with changing air flow
- Transparent sight dome for 360° visibility.
- Yellow fill cap identifies Micro-Mist Lubricator
- High Flow: 1/4" – 40 SCFM §
 3/8" – 60 SCFM §
 1/2" – 90 SCFM §



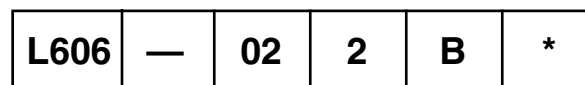
Port Size	NPT	
	Twist Drain	No Drain
Poly Bowl [‡] / Metal Guard		
1/4"	—	L606-022B*
3/8"	—	L606-032B*
1/2"	—	L606-042B*
Metal Bowl / Sight Gauge		
1/4"	L606-024B*	—
3/8"	L606-034B*	—
1/2"	L606-044B*	—

L606 Lubricator Dimensions			
A	B	C	D
2.81 (71)	2.74 (70)	2.24 (57)	5.58 (142)
D [†]	E	E [†]	F
5.69 (145)	7.82 (199)	7.93 (201)	2.25 (57)

Inches (mm)
[†] With Twist Drain.

Standard part numbers shown bold.
 For other models refer to ordering information below.
[‡] For polycarbonate bowl and sight dome, see Caution on inside cover.
[§] SCFM = Standard cubic feet per minute at 90 PSIG inlet and 5 PSIG pressure drop.

Ordering Information



Port Threads
— NPT
G* BSPP

* 1/4 & 3/8 inch meet ISO 1179-1 Standard.

Port Size
02 1/4 Inch
03 3/8 Inch
04 1/2 Inch

Bowl Options	
Polycarbonate Bowl	Metal Bowl
2 Metal Bowl Guard / No Drain	4 Sight Gauge / Twist Drain
6 Metal Bowl Guard / Pressure Fill	8 Sight Gauge / Pressure Fill

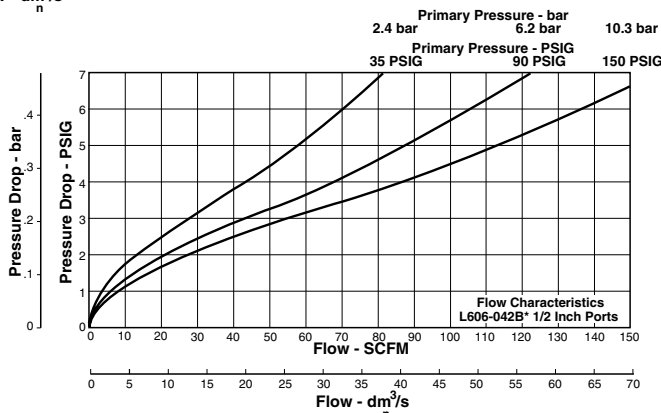
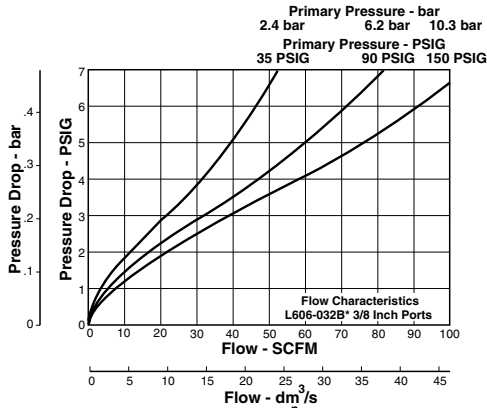
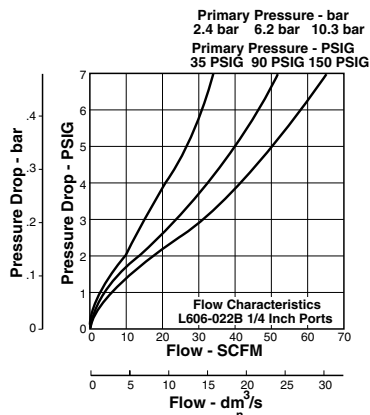
Options
B With Fill Plug
C With Fill Plug/Nylon Sight Dome
F With Body Pressure Fill
G With Body Pressure Fill / Nylon Sight Dome

Engineering Level
* Will be Entered at Factory.

BOLD ITEMS ARE MOST POPULAR.



Technical Information



L606 Micro-Mist Lubricator
Kits & Accessories

Adjustment Knob	P04121
<i>Adjustment Knob (Old L606)</i>	606Y72
Bowl Guard Kit	PS705
Bowl Kits –	
Poly Bowl – No Drain	PS746
Twist Drain	PS717
Pressure Fill	PS719
<i>Plastic Bowl Guard (Old L606)</i>	BK606Y
Metal Bowl – Sight Gauge / Twist Drain	PS729
Sight Gauge / Pressure Fill	PS720
<i>Zinc with Sight Gauge (Old L606)</i>	BK605WY
Drain Kit – Twist Drain	PS512
Fill Cap Kit	PS742
Lubricator Service Kit	PS748
Mounting Bracket Kit	PS743
<i>Mounting Bracket Kit (Old L606)</i>	SAF602-0571
Oil – 1 Gal.	F442002
12 Quart Case	F442003
4 Gallon Case	F442005
Pressure Fill Adapter Kit	PS716
Pressure Fill Button	P11912
Button Head Fill Fitting (M14 Male Thread) (Old L606)	L606C14
Drip Tube Kit (Old L606)	DTK606
Drip Spout Kit (Old L606)	RK606SY
Sight Dome / Fill Cap Kit	PS739
Nylon Sight Dome Kit	PS740N
Repair Kits –	
<i>Needle Valve Assembly (B, W) (Old L606)</i>	RK606Y
<i>Sight Gauge for “W” Bowl (Old L606)</i>	RKB605WY

Specifications

Bowl Capacity	2.60 Ounces
Minimum Flow for Lubrication	1 SCFM at 100 psig
Port Threads	1/4, 3/8, 1/2 Inch
Pressure & Temperature Rating –	
Polycarbonate Bowl – 0 to 150 psig (0 to 10.3 bar)	32°F to 125°F (0°C to 52°C)
Metal Bowl – 0 to 250 psig (0 to 17.2 bar)	32°F to 175°F (0°C to 80°C)
Suggested Lubricant	F442 Oil
Petroleum based oil of 100 to 200 SSU viscosity at 100°F (38°C) and an aniline point greater than 200°F (93°C)	
(DO NOT USE OILS WITH ADDITIVES, COMPOUNDED OILS CONTAINING SOLVENTS, GRAPHITE, DETERGENTS, OR SYNTHETIC OILS.)	
Weight	1.2 lb. (.5 kg)
Materials of Construction	
Body	Zinc
Bowls – Transparent	Polycarbonate
Metal (With Sight Gauge)	Zinc
Bowl Guard	Steel
Collar	Plastic
Drain – Twist – Body & Nut	Plastic
Injector Meter Block & Base Assembly	Plastic
Seals	Nitrile
Sight Dome	Polyamide (Nylon)
Sight Gauge	Polyamide (Nylon)

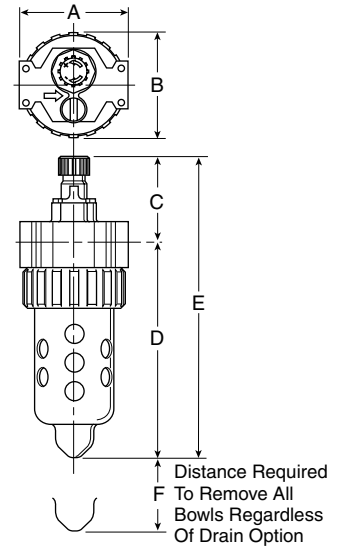


L606 Micro-Mist Lubricators – Standard



Features

- Proportional oil delivery over a wide range of air flows
- Generates oil particles of 5 micron or smaller downstream to lubricate systems having complex piping arrangements
- Precision needle valve assures repeatable oil delivery and provides simple adjustment of delivery rate
- Ideal for low and high flow applications with changing air flow
- Transparent sight dome for 360° visibility
- Yellow fill cap identifies micro-mist lubricator
- High flow: 3/4" – 90 SCFM[§]



Port Size	NPT	
	Twist Drain	No Drain
Poly Bowl [‡] / Metal Guard		
3/4"	—	L606-062B*
Metal Bowl / Sight Gauge		
3/4"	L606-064B*	—

L606 Lubricator Dimensions			
A	B	C	D
3.24 (82)	3.25 (83)	2.41 (61)	6.86 (174)
D [†]	E	E [†]	F
6.95 (177)	9.09 (231)	9.35 (237)	2.75 (70)

Standard part numbers shown bold.

For other models refer to ordering information below.

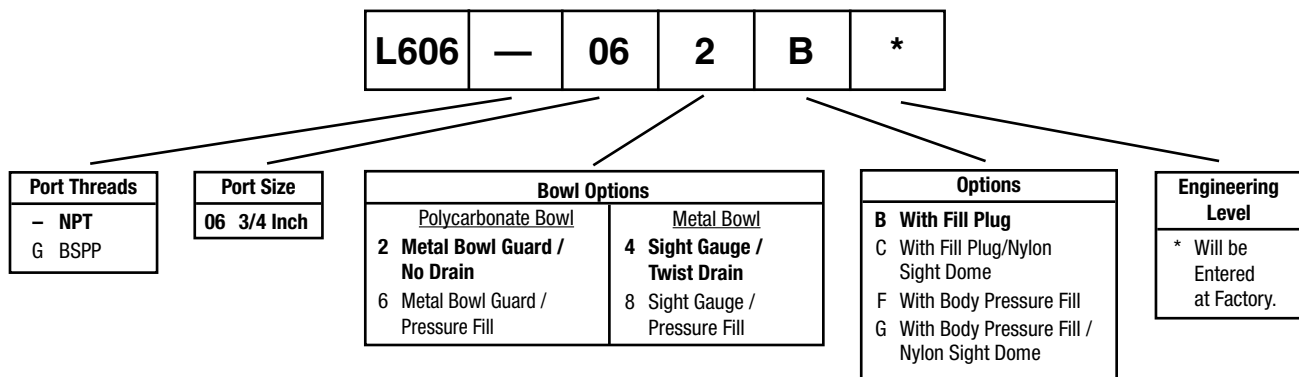
[‡] For polycarbonate bowl and sight dome, see Caution on inside cover.

[§] SCFM = Standard cubic feet per minute at 90 psig inlet and 5 psig pressure drop.

Inches (mm)

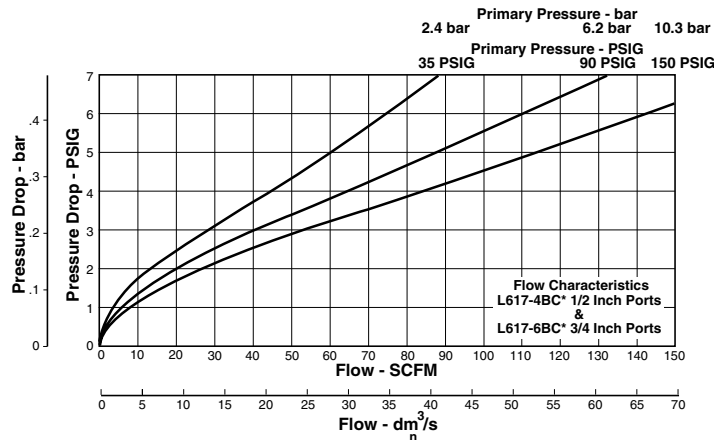
[†] With Twist Drain.

Ordering Information



BOLD ITEMS ARE MOST POPULAR.

Technical Information



**L606 Micro-Mist Lubricator
 Kits & Accessories**

Adjustment Knob	P04121
<i>Adjustment Knob (Old L606)</i>	<i>606Y72</i>
Bowl Guard Kit	PS805P
Bowl Kits –	
Poly Bowl – No Drain	PS846
Twist Drain	PS817
Pressure Fill	PS819
Remote Fill	PS828
<i>Plastic Bowl Guard (Old L606)</i>	<i>BK606A</i>
Metal Bowl – Sight Gauge / Twist Drain	PS829
Sight Gauge / Pressure Fill	PS820
Zinc with Sight Gauge (<i>Old L606</i>)	<i>BK605WA</i>
Aluminum (E) (<i>Old L606</i>)	<i>BK603A</i>
Aluminum with Sight Gauge (G) (<i>Old L606</i>)	<i>BK606X30A</i>
Drain Kit – Twist Drain	PS512
Fill Cap Kit	PS742
Lubricator Service Kit	PS748
Mounting Bracket Kit	PS843
<i>Mounting Bracket Kit (Old L606)</i>	<i>SAF602-0572</i>
Oil – 1 Gal.	F442002
12 Quart Case	F442003
4 Gallon Case	F442005
Pressure Fill Adapter Kit	PS716
Pressure Fill Button	P11912
<i>Button Head Fill Fitting (M14 Male Thread) (Old L606)</i>	<i>L606C14</i>
<i>Drip Tube Kit (Old L606)</i>	<i>DTK606</i>
<i>Drip Spout Kit (Old L606)</i>	<i>RK606SY</i>
Remote Auto-Fill Device	PS505C
Sight Dome / Fill Cap Kit	PS739
Sight Dome Kit	PS740
Nylon Sight Dome Kit	PS740N
Repair Kits –	
<i>Adjusting Knob (Old L606)</i>	<i>606Y72</i>
<i>Needle Valve Assembly (B, W) (Old L606)</i>	<i>RK606Y</i>
<i>Sight Gauge for “W” Bowl (Old L606)</i>	<i>RKB605WY</i>
<i>Sight Gauge for “G” Bowl (Old L606)</i>	<i>RKB606X30A</i>

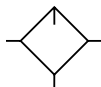
Specifications

Bowl Capacity	4.9 Ounces
Minimum Flow for Lubrication	1 SCFM at 100 PSIG
Port Threads	1/2, 3/4 Inch
Pressure & Temperature Rating –	
Polycarbonate Bowl – 0 to 150 psig (0 to 10.3 bar)	32°F to 125°F (0°C to 52°C)
Metal Bowl – 0 to 250 psig (0 to 17.2 bar)	32°F to 175°F (0°C to 80°C)
Suggested Lubricant	F442 Oil
Petroleum based oil of 100 to 200 SSU viscosity at 100°F (38°C) and an aniline point greater than 200°F (93°C)	
(DO NOT USE OILS WITH ADDITIVES, COMPOUNDED OILS CONTAINING SOLVENTS, GRAPHITE, DETERGENTS, OR SYNTHETIC OILS.)	
Weight	1.9 lb. (.9 kg)

Materials of Construction

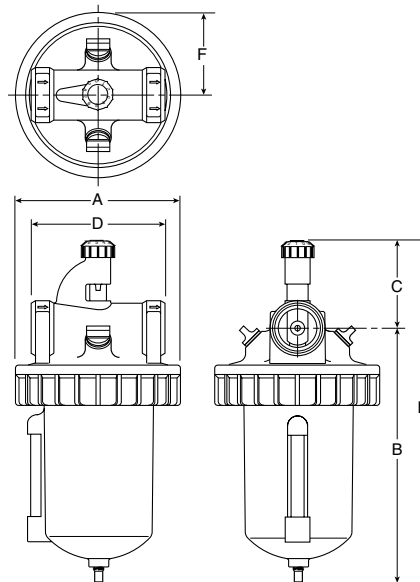
Body	Zinc
Bowls – Transparent	Polycarbonate
Metal (With Sight Gauge)	Zinc
Bowl Guard	Steel
Collar	Plastic or Metal
Drain – Twist – Body & Nut	Plastic
Injector Meter Block & Base Assembly	Plastic
Seals	Nitrile
Sight Dome	Polycarbonate
Sight Gauge	Polyamide (Nylon)

L606 Mist Lubricators – Standard



Features

- Metal bowl with sight gauge - standard
- Polycarbonate sight dome
- Bowl can be filled while air line is under pressure
- Proportional oil delivery over a wide range of air flows
- Large capacity bowl
- Optional high capacity bowl(s) available
- Precision needle valve assures repeatable oil delivery and provides simple adjustment of delivery rate
- Automatic fill optional (requires external pressurized oil supply)
- High flow: 3/4" – 325 SCFM§
 1" – 350 SCFM§



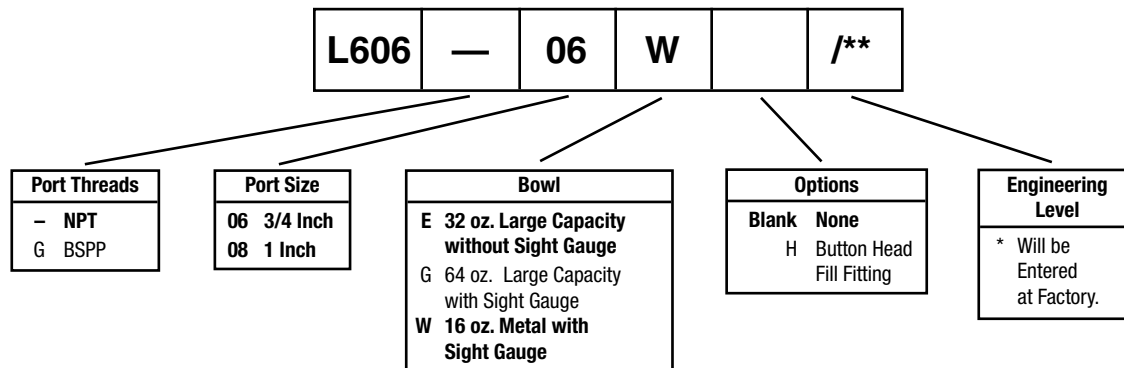
Port Size	NPT
	No Drain
Metal Bowl / Sight Gauge	
3/4"	L606-06W
1"	L606-08W
Metal Bowl 32 oz. without Sight Gauge	
3/4"	L606-06E
1"	L606-08E
Metal Bowl 64 oz. with Sight Gauge	
3/4"	L606-06G
1"	L606-08G

L606 Lubricator Dimensions					
A	B	C	D	E	F
L606-06W, L606-08W					
4.97 (126)	7.25 (184)	2.63 (67)	4.06 (103)	9.88 (251)	2.48 (63)
L606-06E, L606-08E					
4.97 (126)	10.75 (273)	2.63 (67)	4.06 (103)	13.38 (340)	2.48 (63)
L606-06G, L606-08G					
5.00 (127)	9.40 (239)	2.62 (66)	4.06 (103)	12.02 (305)	2.50 (64)

Standard part numbers shown bold.
 For other models refer to ordering information below.
 § SCFM = Standard cubic feet per minute at 90 PSIG inlet and 5 PSIG pressure drop.

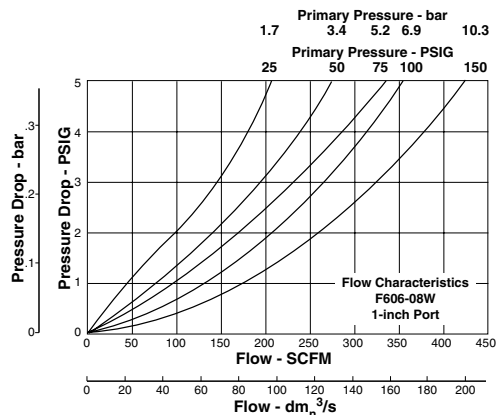
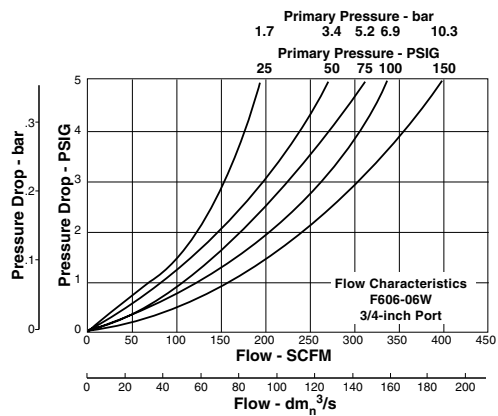
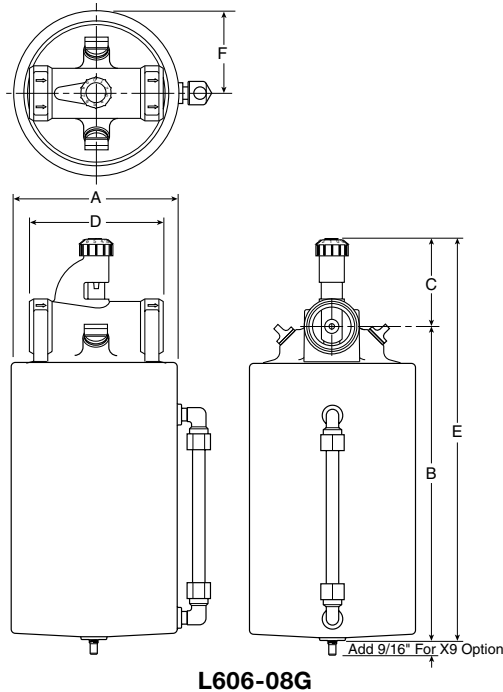
inches (mm)

Ordering Information



BOLD ITEMS ARE MOST POPULAR.

Technical Information



L606 Lubricator Kits & Accessories

Adjusting Knob	606Y72
Bowl Kits –	
Aluminum (E)	BK603B
Aluminum with Sight Gauge (G)	BK606X30B
Zinc with Sight Gauge (W)	BK609WB
Button Head Fill Fitting (M14 male thread)	L606C14
Dip Tube Kit	DTK606
Drip Spout Kit	RK606SY
Mounting Bracket –	
3/4 Inch units (2 required per unit)	SA200AW57
1 Inch units (2 required per unit)	SA200CW57
Oil –	
1 Gal.	F442002
12 Quart Case	F442003
4 Gallon Case	F442005
Repair Kits –	
Needle Valve Assembly (All)	RK606Y
Sight Gauge Repair Kit (W)	RKB605WB
Sight Gauge Repair Kit (G)	RKB606X30B
Fill Plug Replacement	SAP04113

Specifications

Bowl Capacity –	
Aluminum (E)	32 Ounces
Aluminum with Polycarbonate Sight Gauge (G)	64 Ounces
Zinc with Nylon Sight Gauge (W)	16 Ounces
Port Threads	3/4, 1 Inch
Pressure & Temperature Ratings –	
Aluminum Bowl (E)	0 to 300 PSIG (0 to 20.4 bar)
	40°F to 150°F (4.4°C to 65.6°C)

Aluminum Bowl with
 Polycarbonate Sight Gauge (G) 0 to 150 PSIG (0 to 10.2 bar)
 40°F to 125°F (4.4°C to 52°C)

Zinc Bowl with
 Nylon Sight Gauge (W)..... 0 to 250 PSIG (0 to 17.2 bar)
 40°F to 150°F (4.4°C to 65.6°C)

Suggested LubricantF442 Oil
 Petroleum based oil of 100 to 200 SSU viscosity at 100°F and an aniline point greater than 200°F.
 (DO NOT USE OILS WITH ADDITIVES, COMPOUNDED OILS CONTAINING SOLVENTS, GRAPHITE, DETERGENTS, OR SYNTHETIC OILS.)

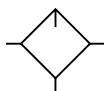
Weight –	
Aluminum Bowl (E)	5.5 lb. (2.49 kg) / Unit
	22.3 lb. (10.12 kg) / 4-Unit Master Pack
Aluminum Bowl with Polycarbonate Sight Gauge (G)	7.2 lb. (3.27 kg) / Unit
	28.8 lb. (13.06 kg) / 4-Unit Master Pack
Zinc Bowl with Nylon Sight Gauge (W).....	4.2 lb. (1.91 kg) / Unit
	16.6 lb. (7.53 kg) / 4-Unit Master Pack

Materials of Construction

Body	Zinc
Bowls –	
(E)	Aluminum
(G)	Aluminum with Polycarbonate Sight Gauge
(W)	Zinc with Nylon Sight Gauge
Seals	Buna N

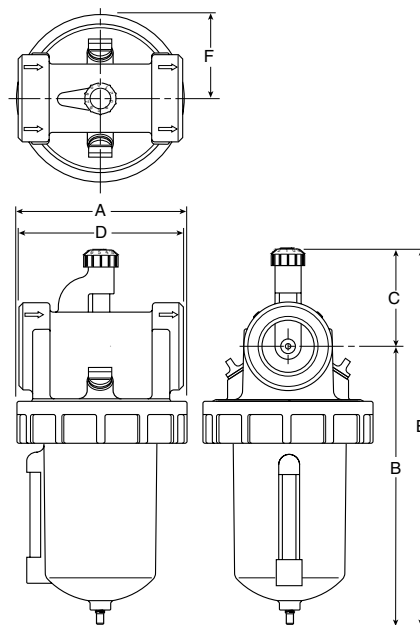


L606 Mist Lubricators – Standard



Features

- Metal bowl with sight gauge - standard
- Polycarbonate sight dome
- Bowl can be filled while air line is under pressure
- Proportional oil delivery over a wide range of air flows
- Large capacity bowl
- Optional high capacity bowl(s) available
- Precision needle valve assures repeatable oil delivery and provides simple adjustment of delivery rate
- Automatic fill optional (requires external pressurized oil supply)
- High flow: 1-1/4" – 325 SCFM§
 1-1/2" – 400 SCFM§



Port Size	NPT
	No Drain
Metal Bowl / Sight Gauge	
1-1/4"	L606-10W
1-1/2"	L606-12W
Metal Bowl 32 oz. without Sight Gauge	
1-1/4"	L606-10E
1-1/2"	L606-12E
Metal Bowl 64 oz. with Sight Gauge	
1-1/4"	L606-10G
1-1/2"	L606-12G

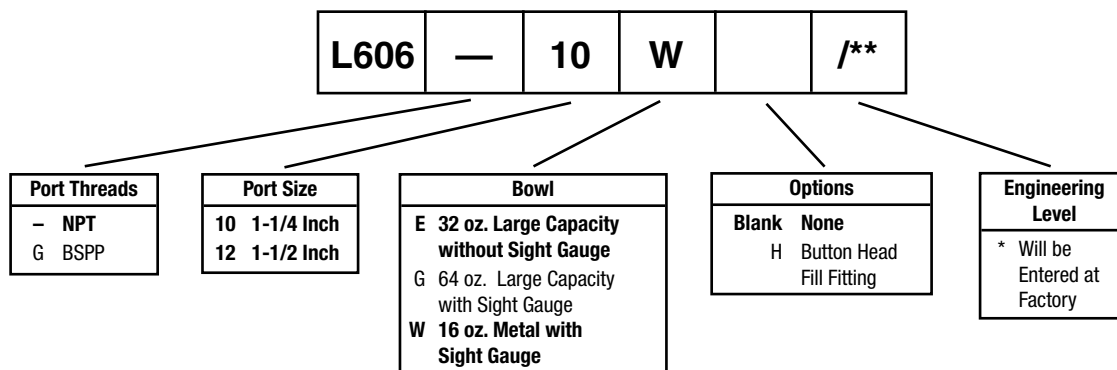
L606-10W12W & L606-10E12E

L606 Lubricator Dimensions					
A	B	C	D	E	F
L606-10W, L606-12W					
4.97 (126)	7.63 (194)	2.84 (72)	4.81 (122)	10.47 (266)	2.48 (63)
L606-10E, L606-12E					
4.97 (126)	11.13 (283)	2.84 (72)	4.81 (122)	13.97 (355)	2.48 (63)
L606-10G, L606-12G					
5.00 (127)	7.99 (203)	2.842 (72)	4.81 (122)	12.80 (325)	2.50 (64)

§ SCFM = Standard cubic feet per minute at 90 PSIG inlet and 5 PSIG pressure drop.

inches (mm)

Ordering Information



BOLD ITEMS ARE MOST POPULAR.

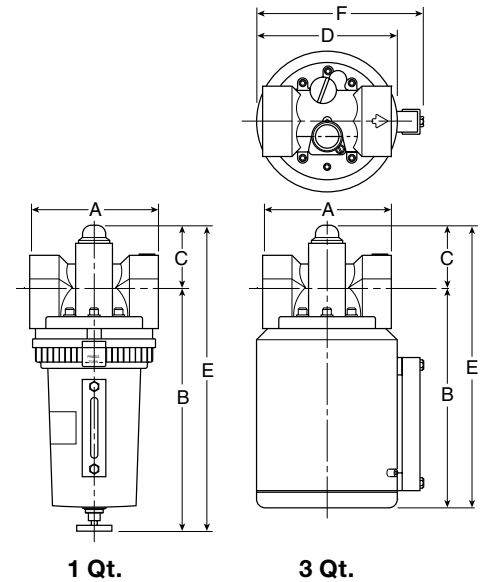


09L Mist Lubricators – Hi-Flow



Features

- Metal bowl with sight gauge and manual drain – standard
- Transparent sight dome for 360° visibility
- Bowl can be filled while air line is under pressure
- Proportional oil delivery over a wide range of air flows
- High flow: 1000 – SCFMS



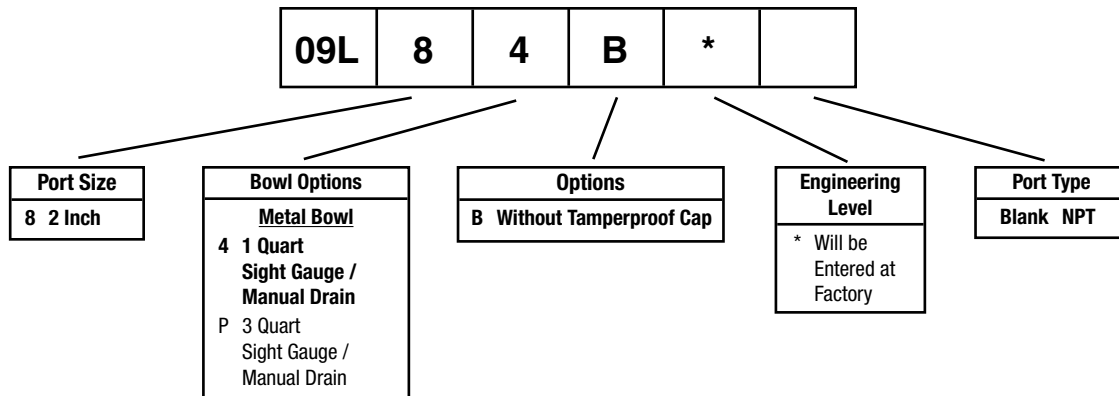
Port Size	NPT
Metal Bowl / Sight Gauge – 1 Quart	
2"	09L84BA
Metal Bowl / Sight Gauge – 3 Quart	
2"	09L8PBA

09L Lubricator Dimensions						
1 Qt.	A	B	C	D	E	F
	5.50 (140)	10.40 (264)	2.64 (67)	—	13.04 (331)	—
3 Qt.	A	B	C	D	E	E
	5.50 (140)	9.44 (240)	2.64 (67)	6.00 (152)	12.08 (307)	7.12 (181)

Standard part numbers shown bold.
 For other models refer to ordering information below.
 § SCFM = Standard Cubic Feet Per Minute at 900 PSIG Inlet, and 5 PSIG Pressure Drop.

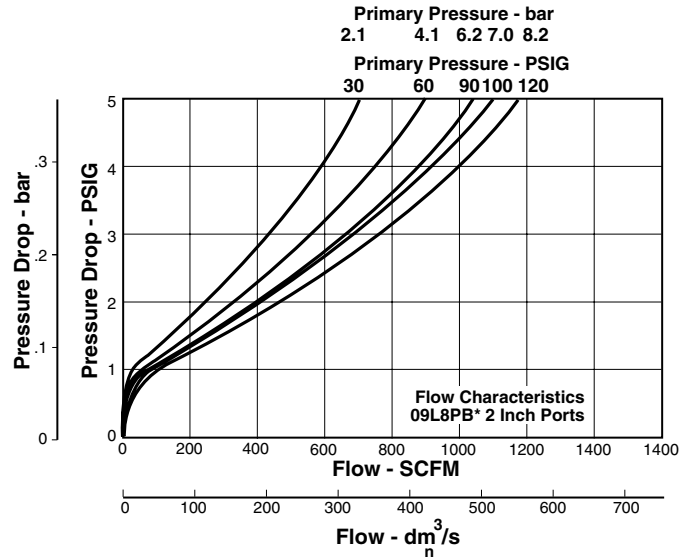
Inches (mm)

Ordering Information



BOLD ITEMS ARE MOST POPULAR.

Technical Information



09L Lubricator Kits & Accessories

Fill Cap Kit.....	PS610
Lubricator Service Kit.....	PS607
Metal Bowl – Sight Gauge / Twist Drain	PS612*
Oil – 1 Gal.....	F442002
12 Quart Case.....	F442003
4 Gallon Case.....	F442005
Sight Dome Kit	PS613

* 1 Quart Bowl

Specifications

Bowl Capacity	1 Qt. (Standard) 3 Qt. (Optional)
Bowl	Metal with Sight Gauge
Drain	Manual Twist Drain
Port Threads	2 Inch
Pressure & Temperature Rating	0 to 150 PSIG (0 to 10.3 bar) 32°F to 150°F (0°C to 66°C)

Suggested LubricantF442 Oil

Petroleum based oil of 100 to 200 SSU viscosity at 100°F and an aniline point greater than 200°F

(DO NOT USE OILS WITH ADDITIVES, COMPOUNDED OILS CONTAINING SOLVENTS, GRAPHITE, DETERGENTS, OR SYNTHETIC OILS.)

Weight – 1 Qt.....	10.2 lb. (4.6 kg)
3 Qt.....	13.7 lb. (6.2 kg)

Materials of Construction

Body	Zinc Alloy, Die Cast
-------------------	----------------------