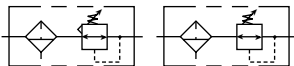
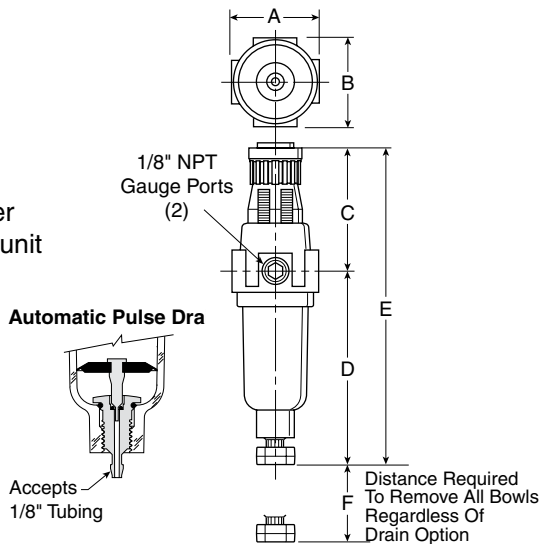


14E Filter / Regulator – Miniature



Features

- Excellent water removal efficiency
- Unbalanced poppet standard
- Solid control piston for extended life
- Space saving package offers both filter and regulator features in one integral unit
- Non-rising adjustment knob
- Two full flow 1/8" gauge ports
- High flow: 1/8" – 16 SCFM[§]
 1/4" – 18 SCFM[§]



Port Size	NPT	
	Twist Drain	Automatic Pulse Drain
Poly Bowl [‡]		
1/8"	14E01B13F*	14E05B13F*
1/4"	14E11B13F*	14E15B13F*
Metal Bowl		
1/8"	14E03B13F*	14E07B13F*
1/4"	14E13B13F*	14E17B13F*

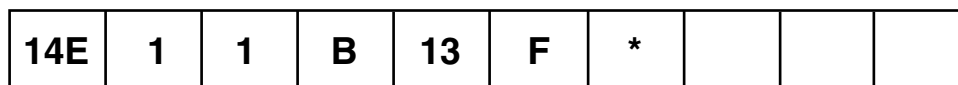
14E Filter / Regulator Dimensions		
A 1.62 (41)	B 1.58 (40)	C 2.42 (61)
D 3.79 (96)	D[†] 3.64 (92)	E 6.21 (158)
E[†] 6.06 (154)	F 1.60 (41)	

Standard part numbers shown bold.
 For other models refer to ordering information below.
 NOTE: 1.218 Dia. (31mm) hole required for panel mounting.
[‡] For polycarbonate bowl see Caution on page inside cover.
[§] SCFM = Standard cubic feet per minute at 100 PSIG inlet, 90 PSIG no flow secondary setting and 10 PSIG pressure drop.

Inches (mm)
[†] With Auto Drain

Ordering Information

BOLD ITEMS ARE MOST POPULAR.



Port Size
0 1/8 Inch
1 1/4 Inch

Elements
A 40 Micron
B 5 Micron
Z Adsorber

Relief
F Relieving
G Non-Relieving
H Low Temp. Relieving

Port Type
Blank NPT
1 BSPP
2 BSPT

Preset / Pressure Limited	
Blank	None
XXX*	Preset Pressure
XXX*	Pressure Limited

Bowl Options
Polycarbonate Bowl
1 Twist Drain
5 Automatic Drain
Metal Bowl
3 Twist Drain
7 Automatic Drain

Pressure Range	
Without Gauge	With Gauge
10 30 PSIG	15 30 PSIG
11 60 PSIG	16 60 PSIG
12 15 PSIG	17 15 PSIG
13 125 PSIG	18 125 PSIG

Engineering Level
* Will be Entered at Factory

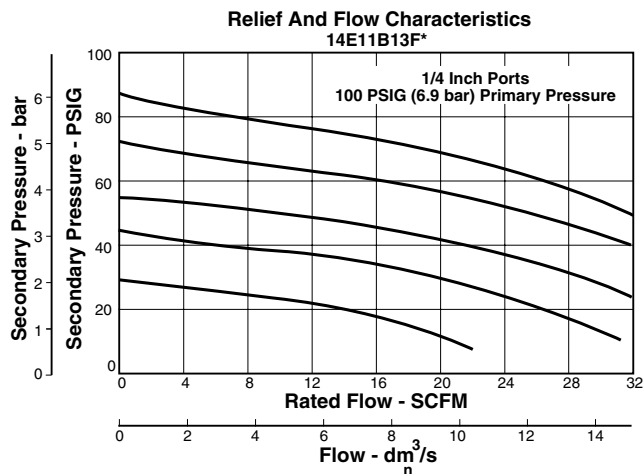
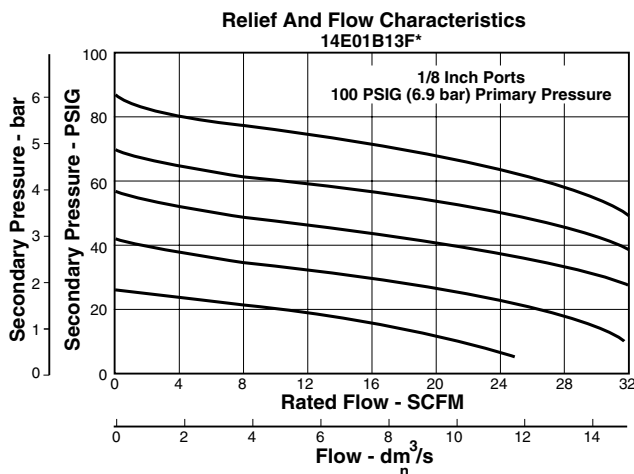
Options	
Blank	No Options
L [†]	Preset Non-Adjustable
p [†]	Preset Adjustable
S [†]	Pressure Limiter Max. Adjustable
T [†]	Pressure Limiter Max.

* Available Preset / Pressure Limited Range, 10 to 90 PSIG in 5 PSIG increments. For higher pressures, contact factory.
 (Example: 065 = 65 PSIG)

Spring Type by Preset / Limited Pressure:
 For Preset / Limited Pressure 10 to 25 use 30 PSI Spring
 For Preset / Limited Pressure 26 to 50 use 60 PSI Spring
 For Preset / Limited Pressure 51 to 90 use 125 PSI Spring

[†] Inlet Pressure is 100 PSIG. For other pressures, contact factory.

Technical Information



⚠ WARNING
Product rupture can cause serious injury.
Do not connect regulator to bottled gas.
Do not exceed maximum primary pressure rating.

⚠ CAUTION:
REGULATOR PRESSURE ADJUSTMENT – The working range of knob adjustment is designed to permit outlet pressures within their full range. Pressure adjustment beyond this range is also possible because the knob is not a limiting device. This is a common characteristic of most industrial regulators, and limiting devices may be obtained only by special design. For best performance, regulated pressure should always be set by increasing the pressure up to the desired setting.

14E Filter / Regulator Kits & Accessories

- Bowl Kits –**
 - Polycarbonate Bowl – Automatic Drain..... PS408B
 - Twist Drain..... PS404
 - Metal Bowl – Automatic Drain..... PS451B
 - Twist Drain PS447B
- Filter Element Kits –** 40 Micron PS401
- 5 Micron PS403
- Adsorber..... PS452
- Gauges –** 30 PSIG (0 to 2.1 bar) K4515N18030
- 60 PSIG (0 to 4.1 bar) K4515N18060
- 160 PSIG (0 to 11.0 bar) K4515N18160
- Mounting Bracket Kit*** (Includes Panel Mount Nut)..... PS417B
- Panel Mount Nut*** P78652
- Poppet / Piston Kits –** Unbalanced Non-Relieving.....PS428
- Unbalanced Relieving.....PS426
- Springs –** 1- 15 PSIG Range (Yellow)..... P01176
- 1- 30 PSIG Range (Black)..... P01175
- 1- 60 PSIG Range (White)..... P01174
- 2- 125 PSIG Range (Gold) P01173

Specifications

- Automatic Pulse Drain Tube Barb** 1/8 Inch
- Bowl Capacity** 1 Ounce
- Gauge Ports (2)** (Can be used for Full Flow)..... 1/8 Inch
- Port Threads** 1/8, 1/4 Inch

Pressure & Temperature Ratings –

- Polycarbonate Bowl –
0 to 150 PSIG (0 to 10.3 bar), 32°F to 125°F (0°C to 52°C)
- Metal Bowl –
0 to 250 PSIG (0 to 17.2 bar), 32°F to 175°F (0°C to 80°C)

Secondary Pressure Ranges –

- Standard Pressure..... 2 to 125 PSIG (0 to 8.6 bar)
- Medium Pressure 1 to 30 PSIG (0 to 2.1 bar)
- Medium Pressure 1 to 60 PSIG (0 to 4.1 bar)
- Low Pressure..... 1 to 15 PSIG (0 to 1 bar)

Weight0.4 lb. (0.18 kg)

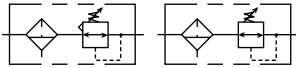
Materials of Construction

- Adjusting Nut**..... Brass
- Adjusting Stem & Spring** Steel
- Body**.....Zinc
- Bonnet, Knob, Seat, Piston, Holder & Deflector**Plastic
- Bowls Available –**
 - Transparent..... Polycarbonate
 - Metal (Without Sight Gauge)Zinc
- Drains –** Manual – Twist Type
- Body & Stem Plastic
- Seals..... Nitrile
- Automatic – Pulse Type
- Piston & Seals Nitrile
- Stem, Seat, Adaptor & Washers..... Aluminum
- Filter Elements –**..... 5 Micron (Standard)
- Plastic –
- 40 Micron (Optional)..... Plastic
- Adsorber (Optional)..... Activated Charcoal
- Seals**..... Nitrile

*Tighten panel mount nut 2.8 to 3.4 Nm (25 to 30 in-lbs) of torque.

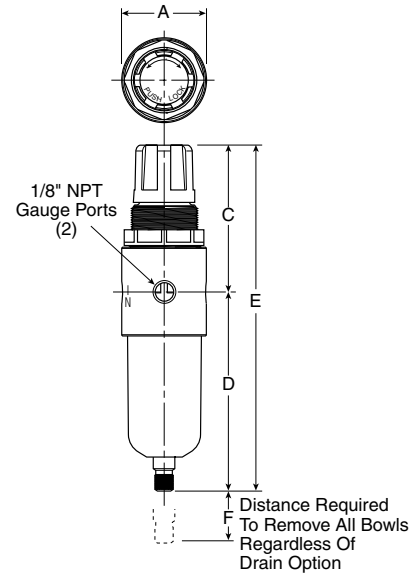


B34 Filter / Regulator – Miniature



Features

- Excellent water removal efficiency
- Diaphragm operated for fast operation
- Large diaphragm to valve area for precise regulation and high flow capacity
- Balanced valve design for precise regulation
- Space saving package offers both filter and regulator features in one integral unit
- Non-rising adjustment knob
- High flow: 1/8" – 12 SCFM[§]
 1/4" – 12 SCFM[§]



Port Size	NPT	
	Manual Twist Drain	
Poly Bowl [†]		
1/8"	B344-01AGC	
1/4"	B344-02AGC	
Metal Bowl without Sight Gauge		
1/8"	B344-01DGC	
1/4"	B344-02DGC	

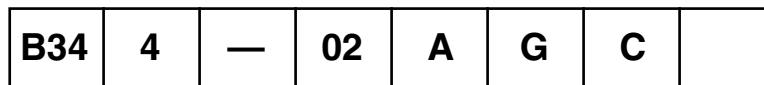
B34 Filter / Regulator Dimensions		
A	C	D
1.54 (39.2)	2.68 (68.1)	3.63 (92.1)
E	F	
6.31 (160.2)	1.65 (41.9)	

Inches (mm)
[†] With Auto Drain

Standard part numbers shown bold.
For other models refer to ordering information below.
 NOTE: 1.218 Dia. (31mm) hole required for panel mounting.
[‡] For polycarbonate bowl see Caution on page inside cover.
[§] SCFM = Standard cubic feet per minute at 100 PSIG inlet,
 75 PSIG no flow secondary setting and 25% pressure drop.

Standard part numbers shown bold.
For other models refer to ordering information below.
NOTE: 1.218 Dia. (31mm) hole required for panel mounting.
[‡] For polycarbonate bowl see Caution on inside cover.
[§] SCFM = Standard cubic feet per minute at 100 PSIG inlet,
 75 PSIG no flow secondary setting and 25% pressure drop.

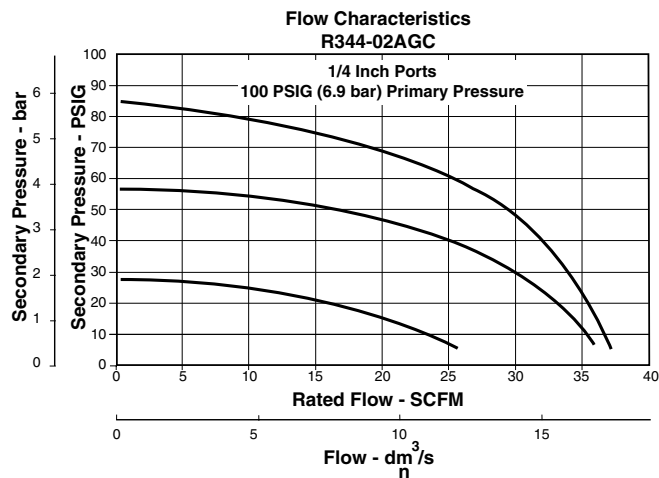
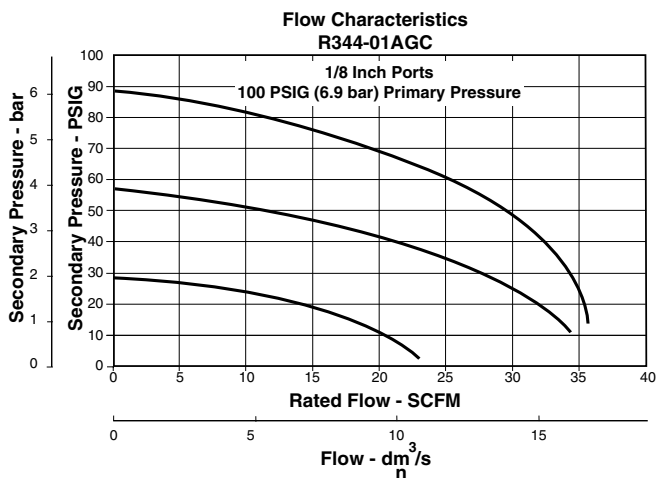
Ordering Information



Number of Ports	Port Threads	Port Size	Bowl	Elements	Reduced Pressure Range	Options
2 2 Ports 4 4 Ports	— NPT G BSPP	01 1/8 Inch 02 1/4 Inch	A Polycarbonate Bowl D Metal without Sight Gauge	G 5 Micron	A 0-25 PSIG B 0-60 PSIG C 0-125 PSIG	Blank None G Gauge K Non-Relieving P Panel Mount (Plastic) S Automatic Pulse Drain

BOLD ITEMS ARE MOST POPULAR.

Technical Information



⚠ WARNING
Product rupture can cause serious injury.
Do not connect regulator to bottled gas.
Do not exceed maximum primary pressure rating.

⚠ CAUTION:
REGULATOR PRESSURE ADJUSTMENT – The working range of knob adjustment is designed to permit outlet pressures within their full range. Pressure adjustment beyond this range is also possible because the knob is not a limiting device. This is a common characteristic of most industrial regulators, and limiting devices may be obtained only by special design. For best performance, regulated pressure should always be set by increasing the pressure up to the desired setting.

B34 Filter / Regulator Kits & Accessories

- Adjusting Knob..... RRP-16-005-000
- Bowl Kits –**
 - Zinc (D) BK505Y
 - Zinc with Automatic Pulse Drain (D)..... BK505SY
 - Polycarbonate (A) BK504Y
 - Polycarbonate with Automatic Pulse Drain (A)..... BK504SY
- Drain Kits –**
 - Automatic Pulse Drain
(Maximum Pressure = 175 PSIG) RK504SY
- Filter Element Kits –**
 - 5 Micron (All)..... FRP-96-729
- Gauges –**
 - 1-1/2" Dial Size, 1/8" Back Connection
0 to 60 PSIG (0 to 400 kPa)..... K4515N18060
 - 1-1/2" Dial Size, 1/8" Back Connection
0 to 160 PSIG (0 to 1100 kPa)..... K4515N18160
- Mounting Bracket Kit (Includes Plastic Panel Nut)SA161X57**
- Panel Mount Nut –**
 - Plastic..... R05X51-P
 - Aluminum R05X51-A
- Repair Kits –**
 - Non-Relieving Diaphragm, Valve Assembly (All) GRP-96-726
 - Relieving Diaphragm, Valve Assembly (All) GRP-96-725
- Springs –**
 - 0-25 GRP-95-111
 - 0-60 GRP-96-718
 - 0-125 GRP-96-717

Specifications

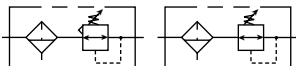
- Bowl Capacity** 1 Ounce
- Gauge Ports (2)** 1/8 Inch
- Maximum Pressure –**
 - Zinc Bowl (D) 0 to 300 PSIG
 - Polycarbonate Bowl (A) 0 to 150 PSIG
- Reduced Pressure Range –**
 - 0 to 25 PSIG (0 to 1.7 bar) (A)
 - 0 to 60 PSIG (0 to 4.1 bar) (B)
 - 2 to 125 PSIG (0.15 to 8.5 bar) (C)
- Temperature Rating** 40°F to 125°F (4.4°C to 52°C)
- Port Threads** 1/8 & 1/4 Inch
- Weight –**
 - Zinc Bowl (D) 0.6 lb. (0.27 kg) / Unit
12 lb. (5.44 kg) / 24-Unit Master Pack
 - Polycarbonate Bowl (A) 0.3 lb. (0.14 kg) / Unit
6 lb. (2.72 kg) / 24-Unit Master Pack

Materials of Construction

- Adjusting Knob** Acetal
- Body** Aluminum
- Bowls –**
 - Polycarbonate (A) Polycarbonate
 - Metal (D) Zinc
Zinc with Automatic Pulse Drain
- Elastomers** Buna N
- Filter Element** Sintered Polyethylene
- Filter Retainer, Vane Plate** Acetal
- Internvalve, Diaphragm, Button, Drain** Brass

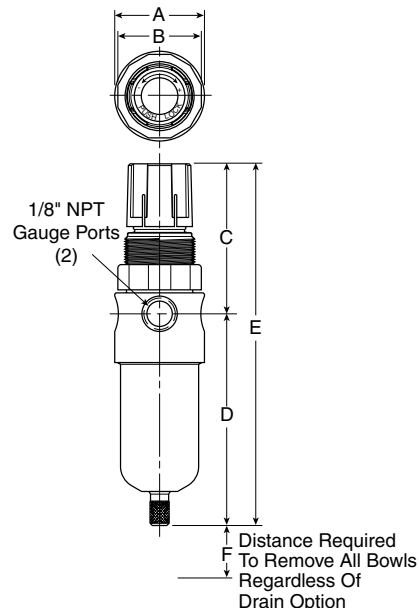


B548 Filter / Regulator – Miniature



Features

- Excellent water removal efficiency
- Unbalanced poppet standard
- Solid control piston for extended life
- Space saving package offers both filter and regulator features in one integral unit
- Non-rising adjustment knob
- High flow: 12 SCFM[§]



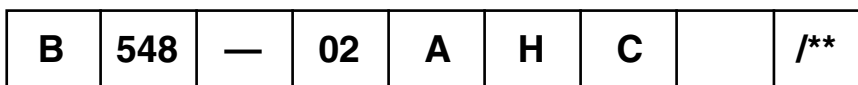
Port Size	NPT	
	Manual Twist Drain	
Poly Bowl†		
1/8"	B548-01AHC	
1/4"	B548-02AHC	
Metal Bowl without Sight Gauge		
1/8"	B548-01DHC	
1/4"	B548-02DHC	

B548 Filter / Regulator Dimensions		
A	B	C
1.55 (39.2)	4.44 (36.5)	2.58 (65.6)
D	E	F
6.23 (158.2)	3.81 (96.7)	.86 (21.9)

Inches (mm)
 † With Auto Drain

Standard part numbers shown bold.
 For other models refer to ordering information below.
 NOTE: 1.218 Dia. (31mm) hole required for panel mounting.
 ‡ For polycarbonate bowl see Caution on page inside cover.
 § SCFM = Standard cubic feet per minute at 100 PSIG inlet,
 75 PSIG no flow secondary setting and 25% pressure drop.

Ordering Information



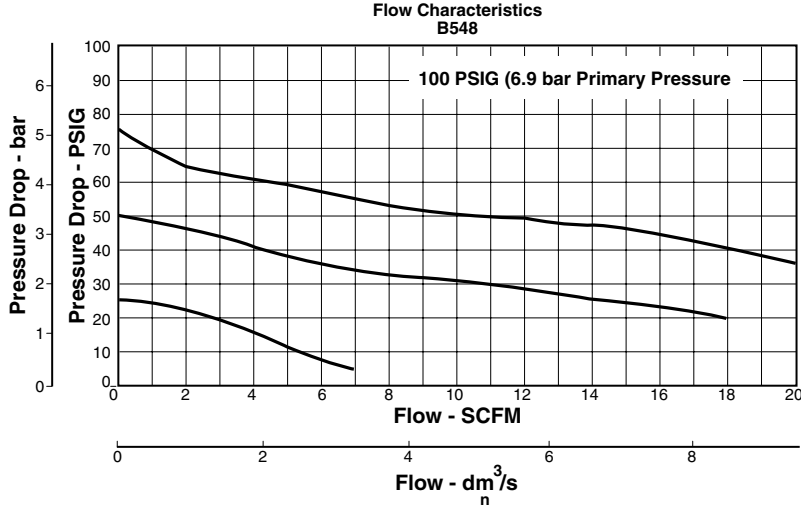
Port Threads — NPT G BSPP	Port Size 01 1/8 Inch 02 1/4 Inch	Bowl A Polycarbonate Bowl D Metal without Sight Gauge	Elements G 5 Micron H 20 Micron	Reduced Pressure Range A 0-25 PSIG B 0-60 PSIG C 0-125 PSIG	Options G Gauge K Non-Relieving P Panel Mount (Plastic) S Automatic Pulse Drain T Tamperproof U Semi-Auto Drain X64 Fluorocarbon O-rings & Diaphragm X33* Polyurethane Bowl	Engineering Change Designator Will be entered at factory.
--	--	--	--	---	--	---

BOLD ITEMS ARE MOST POPULAR.

* Add .65" to overall length.



Technical Information



⚠ WARNING

**Product rupture can cause serious injury.
Do not connect regulator to bottled gas.
Do not exceed maximum primary pressure rating.**

⚠ CAUTION:

REGULATOR PRESSURE ADJUSTMENT – The working range of knob adjustment is designed to permit outlet pressures within their full range. Pressure adjustment beyond this range is also possible because the knob is not a limiting device. This is a common characteristic of most industrial regulators, and limiting devices may be obtained only by special design. For best performance, regulated pressure should always be set by increasing the pressure up to the desired setting.

B548 Filter / Regulator Kits & Accessories

- Bowl Kits –**
 - Zinc (D) BK505Y
 - Zinc with Automatic Pulse Drain (D)..... BK505SY
 - Polycarbonate (A) BK504Y
 - Polycarbonate with Automatic Pulse Drain (A)..... BK504SY
 - Cage Kits (All)CKR364Y**
 - Drain Kits –**
 - Automatic Pulse Drain
 - (Maximum Pressure = 175 PSIG) RK504SY
 - Semi-Automatic “Overnight” Drain SA602A7
 - (Drains automatically under zero pressure)
 - Filter Element Kits –**
 - 20 Micron (All).....EK504Y
 - 5 Micron (All)..... EK504VY
 - Gauges –**
 - 1-1/2" Dial Size, 1/8" Back Connection
 - 0 to 60 PSIG (0 to 400 kPa)..... K4515N18060
 - 1-1/2" Dial Size, 1/8" Back Connection
 - 0 to 160 PSIG (0 to 1100 kPa)..... K4515N18160
 - Mounting Bracket Kit (Includes Plastic Panel Nut)SA161X57**
 - Panel Mount Nut –**
 - Plastic.....R05X51-P
 - Aluminum R05X51-A
 - Repair Kits –**
 - Non-Relieving Diaphragm, Valve Assembly (All) RK548Y
 - Relieving Diaphragm, Valve Assembly (All) RK549Y
- For Fluorocarbon Repair Kits, add X64 to Kit Number suffix.

Specifications

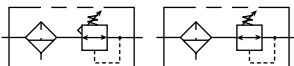
- Bowl Capacity** 1 Ounce
- Gauge Ports (2)** 1/8 Inch
- Maximum Pressure –**
 - Zinc Bowl (D) 0 to 300 PSIG
 - Polycarbonate Bowl (A) 0 to 150 PSIG
- Reduced Pressure Range –**
 - 0 to 25 PSIG (0 to 1.7 bar) (A)
 - 0 to 60 PSIG(0 to 4.1 bar) (B)
 - 2 to 125 PSIG(0.15 to 8.5 bar) (C)
- Temperature Rating** 40°F to 125°F (4.4°C to 52°C)
- Port Threads** 1/4 Inch
- Weight –**
 - Zinc Bowl (D) 0.6 lb. (0.27 kg) / Unit
 - 12 lb. (5.44 kg) / 24-Unit Master Pack
 - Polycarbonate Bowl (A) 0.3 lb. (0.14 kg) / Unit
 - 6 lb. (2.72 kg) / 24-Unit Master Pack

Materials of Construction

- Adjusting Knob** Acetal
- Body** Aluminum
- Bowls –**
 - Polycarbonate (A) Polycarbonate
 - Metal (D)Zinc
 - Zinc with Automatic Pulse Drain
- Elastomers** Buna N
- Filter Element** Sintered Polypropylene
- Filter Retainer, Vane Plate** Acetal
- Internvalve, Diaphragm, Button, Drain** Brass

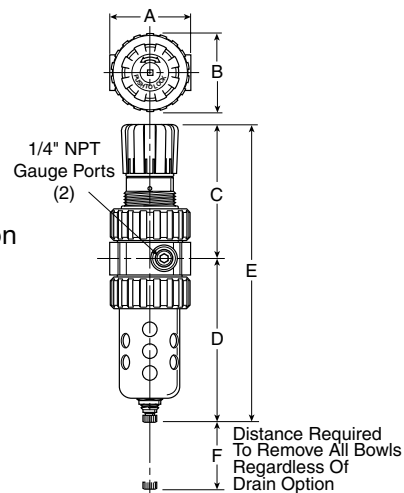


B11 Filter / Regulators – Compact



Features

- Space saving package offers both filter and regulator features for optimal performance
- Excellent water removal efficiency
- Rolling diaphragm for extended life
- Quick response, and accurate pressure regulation regardless of changing flow or inlet pressure
- Two high flow 1/4" gauge ports can be used as additional outlets
- Shown with recommended metal bowl guard
- High flow:
 - 1/4" – 46 SCFM[§]
 - 3/8" – 55 SCFM[§]
 - 1/2" – 61 SCFM[§]



Port Size	NPT	
	Twist Drain	Auto Float Drain
Poly Bowl [‡] / Metal Guard		
1/4"	B11-022A11A*	B11-026A11A*
3/8"	B11-032A11A*	B11-036A11A*
1/2"	B11-042A11A*	B11-046A11A*
Metal Bowl / Sight Gauge		
1/4"	B11-024A11A*	B11-028A11A*
3/8"	B11-034A11A*	B11-038A11A*
1/2"	B11-044A11A*	B11-048A11A*

B11 Filter / Regulator Dimensions			
A	B	C	D
2.81 (71)	2.74 (70)	4.69 (119)	5.69 (145)
D [†]	E	E [†]	F
5.74 (146)	10.38 (264)	10.43 (265)	2.25 (57)

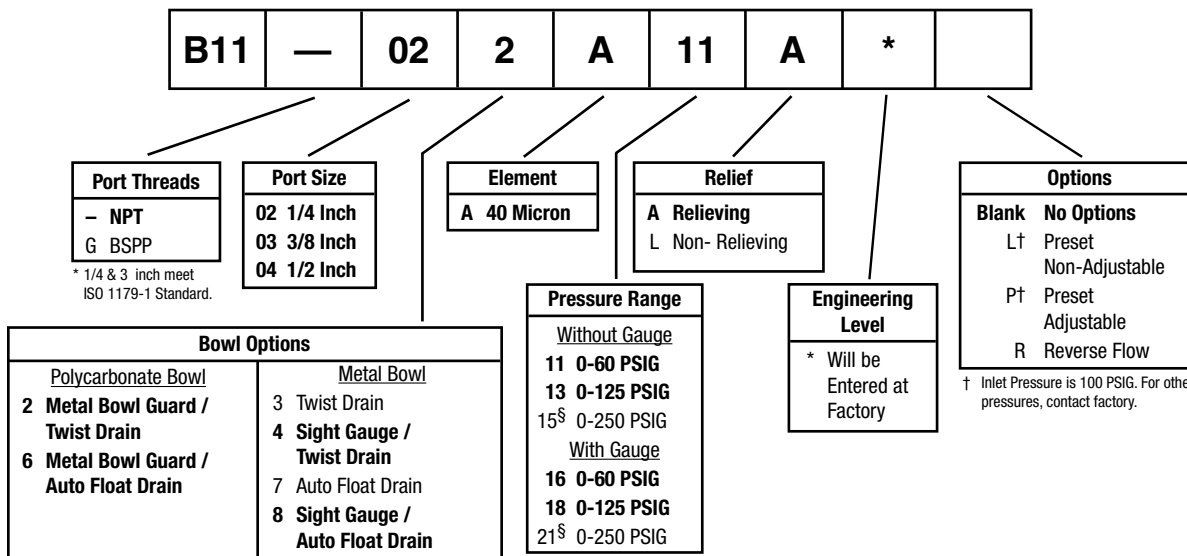
Inches (mm)
[†] With Twist Drain or Auto Pulse Drain

Standard part numbers shown bold.
 For other models refer to ordering information below.
 NOTE: 1.218 Dia. (31mm) hole required for panel mounting.
[‡] For polycarbonate bowl see Caution on page inside cover.
[§] SCFM = Standard cubic feet per minute at 100 PSIG inlet, 75 PSIG no flow secondary setting and 25% pressure drop.

⚠ WARNING

**Product rupture can cause serious injury.
 Do not connect regulator to bottled gas.
 Do not exceed maximum primary pressure rating.**

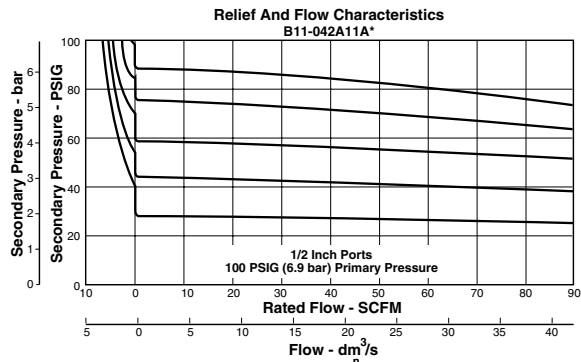
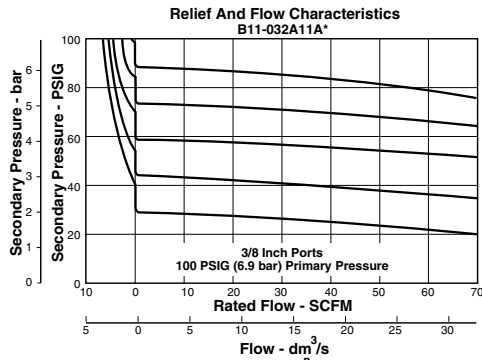
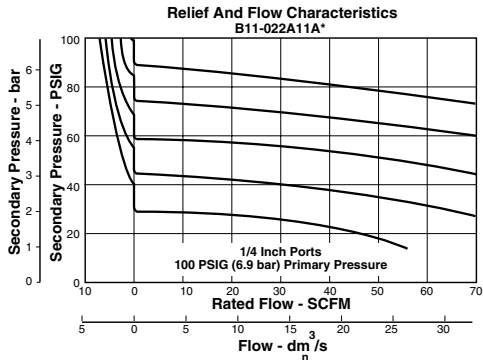
Ordering Information



BOLD ITEMS ARE MOST POPULAR.

[§] If 250 psig spring range is used, use metal bowl.

Technical Information



CAUTION:
REGULATOR PRESSURE ADJUSTMENT – The working range of knob adjustment is designed to permit outlet pressures within their full range. Pressure adjustment beyond this range is also possible because the knob is not a limiting device. This is a common characteristic of most industrial regulators, and limiting devices may be obtained only by special design. For best performance, regulated pressure should always be set by increasing the pressure up to the desired setting.

B11 Filter / Regulator Kits & Accessories

Bonnet Assembly Kit	PS715
Bowl Guard Kit.....	PS705
Bowl Kits –	
Poly Bowl – Automatic Float Drain.....	PS722
Twist Drain.....	PS732
Metal Bowl – Automatic Float Drain.....	PS726
Twist Drain.....	PS734
Sight Gauge / Automatic Drain.....	PS723
Sight Gauge / Twist Drain.....	PS735P
Control Knob.....	P04069B
Drain Kits –	
Automatic Float Drain.....	PS506
Twist Drain.....	PS512
Filter Element Kits – 40 Micron	PS701
Gauges –	
60 psig (0 to 4.1 bar).....	K4520N14060
160 psig (0 to 11.0 bar).....	K4520N14160
300 psig (0 to 20.0 bar).....	K4520N14300
Mounting Bracket Kit (Includes Panel Mount Nut)	PS707
Panel Mount Nut	P04082
Service Kits –	
Non-Relieving (Includes Poppet).....	PS711
Relieving (Includes Poppet)	PS710
Seat Insert Kit	PS713
Springs –	
1- 30 psig Range	P01698
1- 60 psig Range	P04062
2- 125 psig Range	P04063
5- 250 psig Range	P04064
Tamperproof Kit (Key Lock)	PS737

Specifications

Bowl Capacity	4.4 Ounces
Gauge Ports (2)	1/4 Inch
(Can be used as Additional Full Flow 1/4" Outlet Ports)	
Port Threads	1/4, 3/8, 1/2 Inch

Pressure & Temperature Ratings –

Polycarbonate Bowl – 0 to 150 psig (0 to 10.4 bar)
32°F to 125°F (0°C to 52°C)
Metal Bowl – 0 to 250 psig (0 to 17.2 bar)
32°F to 175°F (0°C to 80°C)
Automatic Float Drain – 15 to 250 psig (1.0 to 17.2 bar)

Secondary Pressure Ranges –

Standard Pressure	2 to 125 psig (0 to 8.6 bar)
Low Pressure	1 to 60 psig (0 to 4.1 bar)
High Pressure	5 to 250 psig (0.4 to 17.2 bar)

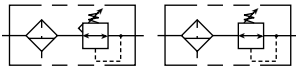
Sump Capacity.....	1.75 Ounces
Weight.....	1.6 lb. (0.7 kg)

Materials of Construction

Adjusting Stem	Steel
Body.....	Zinc
Bonnet, Internal Parts	Plastic
Bowls Available –	
Transparent	Polycarbonate
Metal (With or Without Sight Gauge)	Zinc
Bowl Guard	Steel
Collar	Plastic
Diaphragm.....	Nitrile
Drains –	
Manual Twist Drain Standard	
Body & Nut	Plastic
Automatic Float Drain Optional	
(Interchangeable for Field Conversions)	
Operating Range	10 to 250 psig (.7 to 17.2 bar)
Housing, Float	Plastic
Seals	Nitrile
Springs, Push Rod	Stainless Steel
Knob	Plastic
Filter Elements – 40 Micron (Standard)	Plastic
Seals	Nitrile
Sight Gauge	Polyamide (Nylon)
Springs –	
Poppet.....	Stainless
Control	Steel

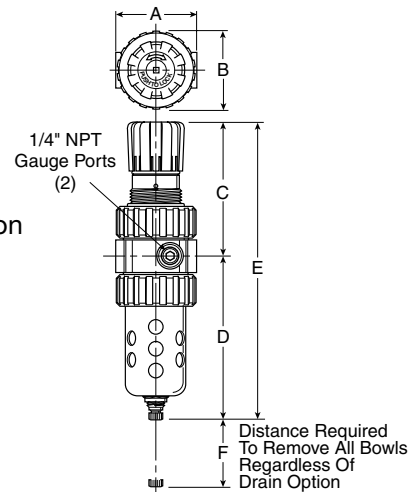


B11 Filter / Regulators – Standard



Features

- Space saving package offers both filter and regulator features for optimal performance
- Excellent water removal efficiency
- Rolling diaphragm for extended life
- Quick response, and accurate pressure regulation regardless of changing flow or inlet pressure
- Two high flow 1/4" gauge ports can be used as additional outlets
- Shown with recommended metal bowl guard
- High flow: 3/4" – 90 SCFM[§]



Port Size	NPT	
	Twist Drain	Auto Float Drain
Poly Bowl ‡ / Metal Guard		
3/4"	B11-062A11A*	B11-066A11A*
Metal Bowl / Sight Gauge		
3/4"	B11-064A11A*	B11-068A11A*

B11 Filter / Regulator Dimensions			
A	B	C	D
3.24 (82)	3.25 (83)	4.79 (122)	6.97 (177)
D†	E	E†	F
7.00 (178)	11.76 (299)	11.79 (299)	2.75 (70)

Standard part numbers shown bold.

For other models refer to ordering information below.

‡ For polycarbonate bowl see Caution on inside cover.

§ SCFM = Standard cubic feet per minute at 100 psig inlet, 90 psig no flow secondary setting and 10 psig pressure drop.

NOTE: 2.00 Dia. (50.8 mm) hole required for panel mounting.

Max. panel thickness 1/4".

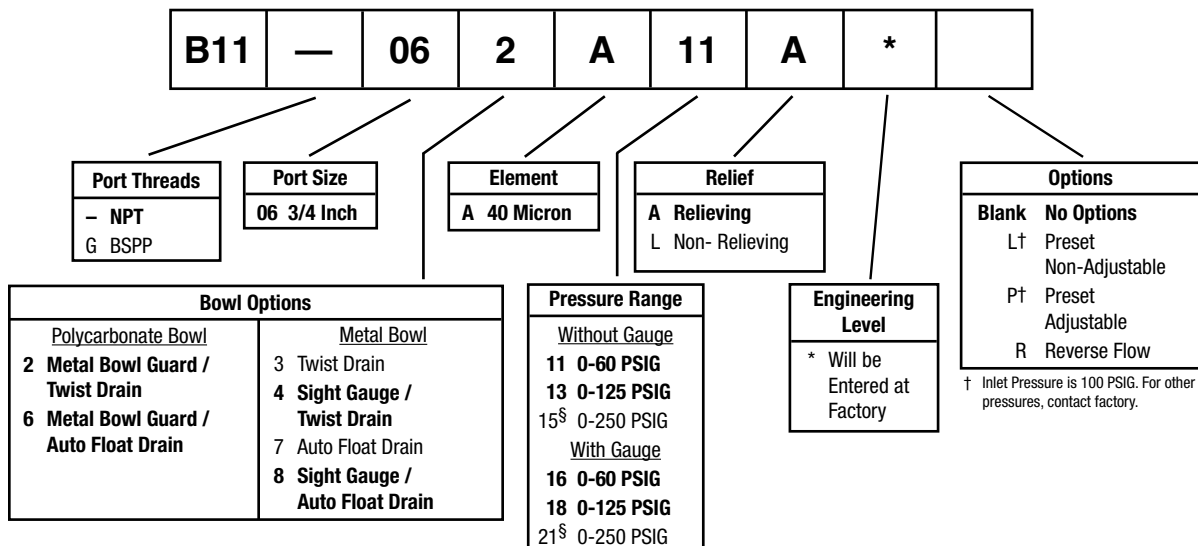
Inches (mm)

† With Twist Drain or Auto Pulse Drain

WARNING

**Product rupture can cause serious injury.
 Do not connect regulator to bottled gas.
 Do not exceed maximum primary pressure rating.**

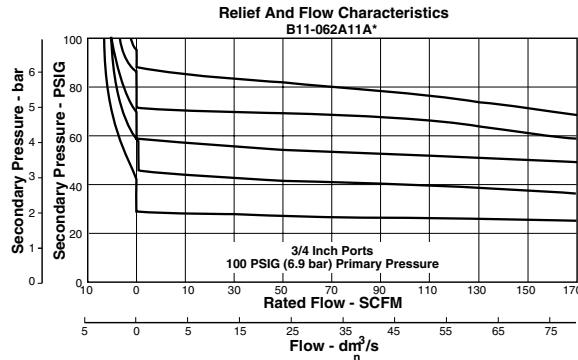
Ordering Information



§ If 250 psig spring range is used, use metal bowl.

BOLD ITEMS ARE MOST POPULAR.

Technical Information



CAUTION:
REGULATOR PRESSURE ADJUSTMENT – The working range of knob adjustment is designed to permit outlet pressures within their full range. Pressure adjustment beyond this range is also possible because the knob is not a limiting device. This is a common characteristic of most industrial regulators, and limiting devices may be obtained only by special design. For best performance, regulated pressure should always be set by increasing the pressure up to the desired setting.

B11 Filter / Regulator Kits & Accessories

Bonnet Assembly Kit	PS715
Bowl Guard Kit	PS805
Bowl Kits –	
Poly Bowl – Automatic Float Drain.....	PS822
Twist Drain.....	PS832
Metal Bowl – Automatic Float Drain.....	PS826
Twist Drain.....	PS834
Sight Gauge / Automatic Drain.....	PS823
Sight Gauge / Twist Drain.....	PS835
Control Knob	P04069B
Drain Kits –	
Automatic Float Drain.....	PS506
Twist Drain.....	PS512
Filter Element Kits – 40 Micron	PS801
Gauges –	
60 psig (0 to 4.1 bar)	K4520N14060
160 psig (0 to 11.0 bar).....	K4520N14160
300 psig (0 to 20.0 bar).....	K4520N14300
Mounting Bracket Kit (Includes Panel Mount Nut)	PS807
Panel Mount Nut	P04082
Service Kits –	
Non-Relieving (Includes Poppet).....	PS811
Relieving (Includes Poppet)	PS810
Seat Insert Kit	PS813
Springs –	
1- 30 psig Range	P01698
1- 60 psig Range	P04062
2- 125 psig Range	P04063
5- 250 psig Range	P04064
Tamperproof Kit (Key Lock)	PS737

Specifications

Bowl Capacity	7.2 Ounces
Gauge Ports (2)	1/4 Inch
(Can be used as Additional Full Flow 1/4" Outlet Ports)	
Port Threads	1/2, 3/4 Inch

Pressure & Temperature Ratings –

Polycarbonate Bowl – 0 to 150 psig (0 to 10.4 bar)
32°F to 125°F (0°C to 52°C)
Metal Bowl – 0 to 250 psig (0 to 17.2 bar)
32°F to 175°F (0°C to 80°C)
Automatic Float Drain – 15 to 250 psig (1.0 to 17.2 bar)

Secondary Pressure Ranges –

Standard Pressure	2 to 125 psig (0 to 8.6 bar)
Low Pressure	1 to 60 psig (0 to 4.1 bar)
High Pressure	5 to 250 psig (0.4 to 17.2 bar)

Sump Capacity	2.8 Ounces
Weight	2.5 lb. (1.1 kg)

Materials of Construction

Adjusting Stem	Steel
Body	Zinc
Bonnet, Internal Parts	Plastic
Bowls Available –	
Transparent	Polycarbonate
Metal (With or Without Sight Gauge)	Zinc
Bowl Guard	Steel
Collar	Plastic or Metal
Diaphragm	Nitrile
Drains –	
Manual Twist Drain Standard	
Body & Nut	Plastic
Automatic Float Drain Optional	
(Interchangeable for Field Conversions)	
Operating Range	10 to 250 psig (.7 to 17.2 bar)
Housing, Float	Plastic
Seals	Nitrile
Springs, Push Rod	Stainless Steel
Knob	Plastic
Filter Elements – 40 Micron (Standard)	Plastic
Seals	Nitrile
Sight Gauge	Polyamide (Nylon)
Springs –	
Poppet.....	Stainless Steel
Control	Steel

