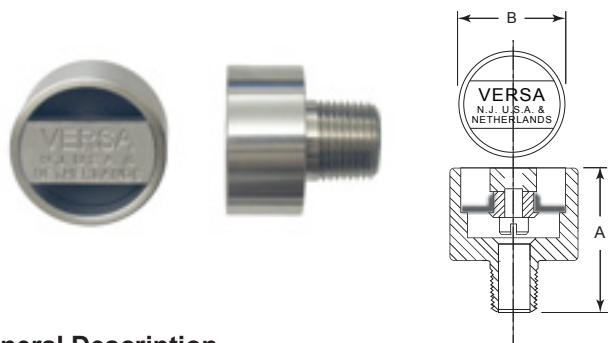


# DUST EXCLUDERS VENT SCREENS

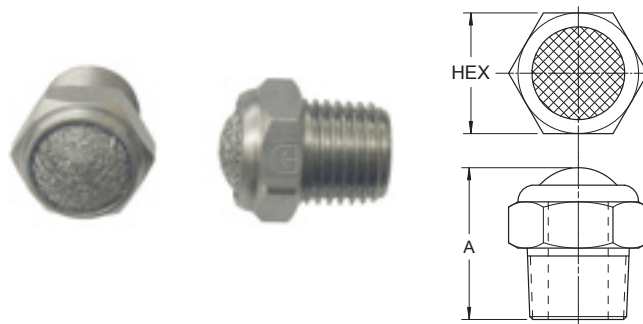
(For Pneumatic Application Only)

a range of unique Dust Excluders and Vent Screens made from Aluminum or 316 Stainless Steel

## Dust Excluders



## Vent Screen



### General Description

Versa Dust Excluders are available in aluminum and 316 Stainless Steel. They are screwed into the exhaust port of a directional control valve and offer effective protection against dirt, dust, moisture and insects entering the valve, through the exhaust port, without obstructing the flow.

### Functional Description

The function of the Versa Dust Excluder is based on a flexible seal resting on a large diameter seat.

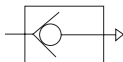
This principle offers:

- Tightly closed exhaust port
- Low 'break away' pressure
- Large flow capacity
- Self cleaning action.

**Materials** Aluminum body with NBR (Nitrile) seal  
316 Stainless Steel body with CR (Neoprene) seal

**Pressures** Range: 0 to 200 psi (14 bar) pneumatic

### Flow Symbol



### Mounting

For best protection Dust Excluders are preferably mounted such that the outlet opens to the side or down.

†conforms to NACE standard MR-01-75

### General Description

Versa Vent Screens are available in 316 Stainless Steel. Threaded into the exhaust port of a directional control valve they offer effective protection against dirt, dust and insects entering the valve, with minimal effect on flow.

### Functional Description

The function of the Versa Vent Screen is based on a special designed stainless steel wire screen.

This principle offers:

- Low profile
- High mechanical resistance
- Sound damping
- Exceptional corrosion resistance

**Materials** 316 Stainless Steel

**Pressures** Range: 0 to 300 psi (20 bar) pneumatic

### Flow Symbol



### Mounting

For best protection Vent Screens are preferably mounted such that the outlet opens to the side or down.

†conforms to NACE standard MR-01-75

## Sizes/Connections/Types/Dimensions/Weights

DUST EXCLUDER

THREAD SIZE	PRODUCT NUMBER		DIMENSIONS IN INCH (MM)				Weights in lbs (kg)	
	ALUMINUM	STAINLESS STEEL†	ALUMINUM		STAINLESS STEEL		ALUMINUM	STAINLESS STEEL
			A	B	A	B		
1/8" NPT	DE-2		1.56" (40)	1.25" (32)			0.07 (0.03)	
1/4" NPT	DE-3	DE-3-316	1.56" (40)	1.25" (32)	1.18" (30)	1.25" (32)	0.07 (0.03)	0.15 (0.07)
3/8" NPT	DE-4	DE-4-316	1.62" (41)	1.25" (32)	1.25" (32)	1.25" (32)	0.07 (0.03)	0.17 (0.08)
1/2" NPT	DE-5	DE-5-316	1.62" (41)	1.25" (32)	1.25" (32)	1.25" (32)	0.07 (0.03)	0.19 (0.09)
3/4" NPT	DE-6	DE-6-316	2.0" (51)	1.37" (35)	2.0" (51)	1.37" (35)	0.11 (0.05)	0.30 (0.13)
1" NPT	DE-7	DE-7-316	2.0" (51)	1.37" (35)	2.0" (51)	2.0" (51)	0.12 (0.06)	0.30 (0.13)

VENT SCREEN

THREAD SIZE	PRODUCT NUMBER MATERIAL 316*	VENT SCREEN		
		A	HEX	WEIGHTS lbs (kg)
1/8" NPT	MFS-2-316	0.69 (17.5)	.5 (12.7)	0.02 (0.009)
1/4" NPT	MFS-3-316	0.88 (22.4)	.625 (15.9)	0.038 (0.017)
3/8" NPT	MFS-4-316	1.00 (25.4)	.75 (19)	0.04 (0.018)
1/2" NPT	MFS-5-316	1.19 (30.2)	1.0 (25.4)	0.048 (0.02)
3/4" NPT	MFS-6-316	1.50 (38.1)	1.12 (28.4)	0.08 (0.036)
1" NPT	MFS-7-316	1.63 (41.4)	1.5 (38.1)	0.08 (0.036)