

PRESSURE RELIEF VALVE

1/4" and 1/2" NPT, 316 stainless steel, high flow pressure relief valve, with factory set and tested pressure settings (For Pneumatic Application Only)

Size	Part Number	Pressure Range	Weight		Dimension	
			lbs	kg	A	B
1/4" NPT	RV-3-316-*	60 to 150 psi	0.16	0.07	0.69"	2.13"
1/2" NPT	RV-5-316-*	15 to 150 psi	0.38	0.17	0.875"	3.06"

* Add relief pressure to part number in 5 psi increments from 60 to 150 psi for 1/4" & 15 to 150 psi for 1/2".

Block & Bleed

a Block and Bleed gauge monitoring valve assembly



BB-3-316

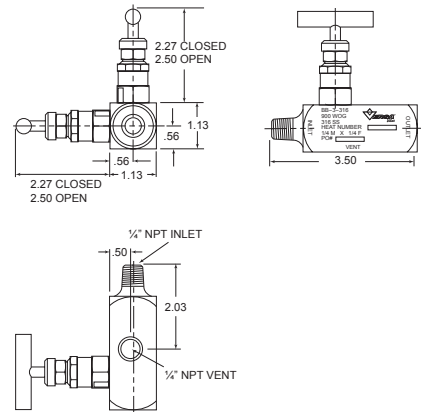
Materials:

Body and valve stems:
316 Stainless Steel

Pressures:

Operating Pressure Range:
0 to 800 psig (0 to 54.4 bar)

Media: Water, Oil & Gas



The Versa Block and Bleed valve is a traditional isolation valve. It consists of "block" and "vent" needle valves to isolate and vent downstream pressure during gauge changes.



AR-190-316-1 valve extension

