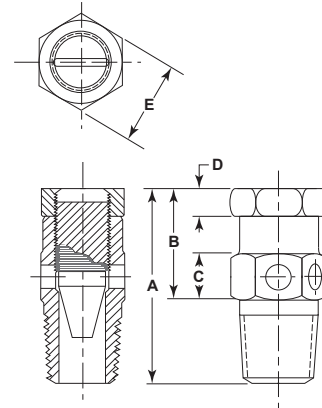


BLEED CONTROL VALVES

(For Pneumatic application Only)

a range of Bleed Control Valves in different sizes, made of Brass or 316 Stainless Steel



General Description

Versa Bleed Control Valves provide an economical, effective flow control in pneumatic applications.

They can be screwed into the exhaust port of any Versa directional control valve to offer "built-in" cylinder speed control.

Functional Description

The Versa Bleed Control Valve has a precision machined needle. The flow area, through which the air - or any other gas - passes to the atmosphere, can be finely adjusted by turning the needle in or out. After the Bleed Control Valve has been adjusted to suit, it can be securely locked at its setting with the lock nut provided.

With a Versa 5/2 or 5/3 four-way valve - having a separate exhaust

port for each side of a double acting cylinder - the speed in one direction of stroke may be set at a different speed than the other stroke.

Flow

Exhausting flow can be gradually adjusted from zero (closed) to maximum (full open). Constant flow can be secured at the required setting by tightening the lock nut.

Materials

All parts: - Brass or 316 Stainless Steel†

Symbol

valve exhaust port

Pressure

Range: 0 to 200 psi (14 bar) air



Sizes/Connections/Types/Dimensions/Weights

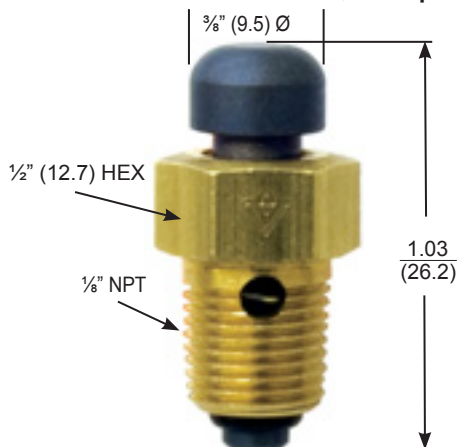
CONNECTIONS		PRODUCT NUMBER		DIMENSIONS IN INCH (MM)					WEIGHTS	
PORT SIZE	BRASS	STAINLESS STEEL	A	B	C	D	E	lbs	(Kg)	
1/8" NPT	BC-2		1.31" (33.3)	0.75" (19.1)	0.31" (7.9)	0.19" (4.8)	0.56" (14.3)	0.07	(0.03)	
1/4" NPT	BC-3	BC-3-316	1.31" (33.3)	0.75" (19.1)	0.31" (7.9)	0.19" (4.8)	0.56" (14.3)	0.08	(0.04)	
3/8" NPT	BC-4	BC-4-316	1.56" (39.7)	0.94" (23.8)	0.38" (9.5)	0.25" (6.4)	0.69" (17.5)	0.13	(0.06)	
1/2" NPT	BC-5	BC-5-316	1.63" (41.3)	1.00" (25.4)	0.38" (9.5)	0.25" (6.4)	0.88" (22.2)	0.15	(0.07)	
3/4" NPT	BC-6	BC-6-316	2.44" (61.9)	1.50" (38.1)	0.50" (12.7)	0.25" (6.4)	1.31" (33.3)	0.55	(0.25)	
1" NPT	BC-7	BC-7-316	2.44" (61.9)	1.50" (38.1)	0.50" (12.7)	0.25" (6.4)	1.31" (33.3)	0.62	(0.28)	

†conforms to NACE standard MR-01-75 Dimensions: Inches (mm)

BLEED VALVES

(For Pneumatic Applications Only)

a low cost, simple way to manually or mechanically control bleed functions



Functional Description

These versatile valves can be used to operate a bleed pilot control valve. Bleed valves are used to vent pressure from one end of the control valve to allow pressure from the opposite end to shift the spool, changing the flow pattern

Installation can be made directly on the pilot cap or at a remote location by simply running a single line from the bleed button valve to the pilot cap.

Materials

Body: Brass
Plunger & Spring: 440 & 302 Stainless Steel
Seals: NBR (Nitrile)

Pressures

Range: 0 to 200 psi (0 to 14 bar) air

Product Number

BV-2

Symbol

