

# RODLESS CYLINDERS

HORV16, HORV25, HORV40

Designed for longer distances of travel, Humphrey HORV Rodless Cylinders are shorter, thinner, lighter and more cost effective than traditional rodless cylinders. Available in three bore sizes, these band type, rodless cylinders fit in and minimize the overall mass of the device. While other types add mass/weight to resist lateral loads and moments, the HORV is a better value for those applications where extraneous loads have been eliminated. Mounting is via through holes on end caps. Magnet piston for Sensor Switch operation is standard.

## BORE SIZES (mm):

- 16, 25, 40

## TYPE:

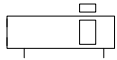
- Double Acting (HORV)

## STANDARD STROKES (inch):

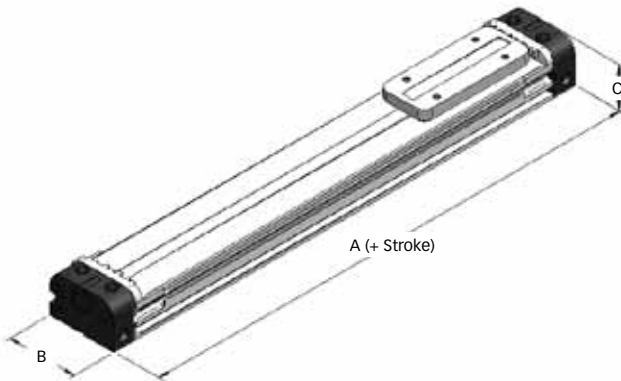
- 2 – 78 (1/2-inch increments)

## OPTIONS AND ACCESSORIES:

M-Mount, Long stroke body support bracket, Stroke-end Shock Absorber kit. For Sensor options, see page 53.



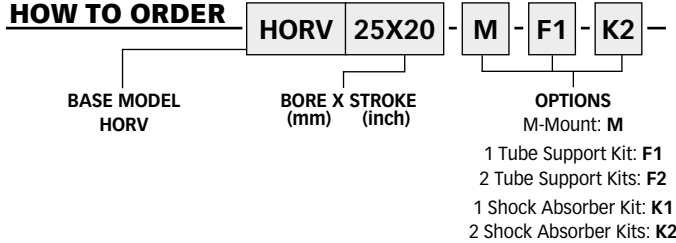
HORV 25x4



Model	Bore Size - Effective Area		Overall Dimensions			
	Bore Diameter (mm)	Piston Area	Length A + Stroke (inch)	Width-B (inch)	Depth-C (inch)	Port Thread
HORV	16	0.31	4.41	1.58	1.10	10-32 UNF
	25	0.76	5.99	2.21	1.46	1/8 PIPE
	40	1.95	9.53	3.31	2.29	1/4 PIPE

SPECIALTY ACTUATORS

## HOW TO ORDER



## SPECIFICATIONS

Media:	Air
Pressure Range:	21-115 PSIG
Temperature Range:	32°F to 140°F

## HOW TO OBTAIN SPECIFICATIONS FOR CYLINDERS

- Go to [www.humphrey-products.com](http://www.humphrey-products.com)
- Select "Online Product Guide." Follow the steps to get the cylinder you need.
- Once the specifications have been entered, select "Download Spec Sheet" to create a personalized PDF of the cylinder, which you may save to your computer and print at your convenience. These spec sheets are helpful when placing your order(s).

## HOW TO ORDER HUMPHREY CYLINDERS AND ACCESSORIES

- Go to [www.humphrey-products.com](http://www.humphrey-products.com)
- Select "Find A Distributor" and input your information to locate a distributor nearest you.
- Or, call Customer Service at 1-800-477-8707 for the name and phone number of your local distributor.



**HUMPHREY PRODUCTS ARE SOLD WORLD-WIDE THROUGH AUTHORIZED DISTRIBUTORS**