

Type 350/360/370SS Series

Stainless Steel Regulators and Filters

Type 350SS Stainless Steel Filter Regulator

Type 360SS Stainless Steel Regulator

Type 370SS Stainless Steel Filter

The Type 350/360/370SS series of stainless steel regulators, filter regulators and filters are designed to stand up to the harshest environments while providing highly accurate pressure regulation. Proven 316 stainless steel housing and filter assemblies along with fluoro-carbon elastomers make the 350/360/370SS compatible with sour gas and adaptable to off shore environments. These quality instruments are economical to buy as well as operate, and provide extremely stable and repeatable control of gas pressure. Oversized valving helps the units achieve high flow rates with minimal pressure drop.

Features

- **All 316 Stainless Steel Construction**
Ideal for sour gas and/or corrosive environments
- **NACE Compliant**
Meets NACE #MR-0175 material requirement for sulfide stress cracking
- **1/4" NPT and 1/2" NPT Ported Versions**
- **Autodrain Option**
- **Low Temperature Option**
- **High Flow Capacity**
- **Tapped Exhaust Port**
Permits remote venting of hazardous gases
- **Minimal Air Consumption**
Low cost of ownership



Type 350/360/370SS Series

Clean, stable performance for tough, dirty process control

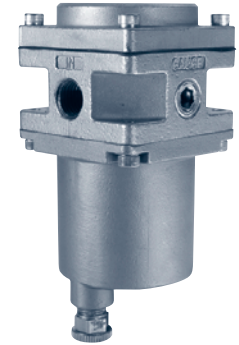
S P E C I F I C A T I O N S



TYPE 350SS



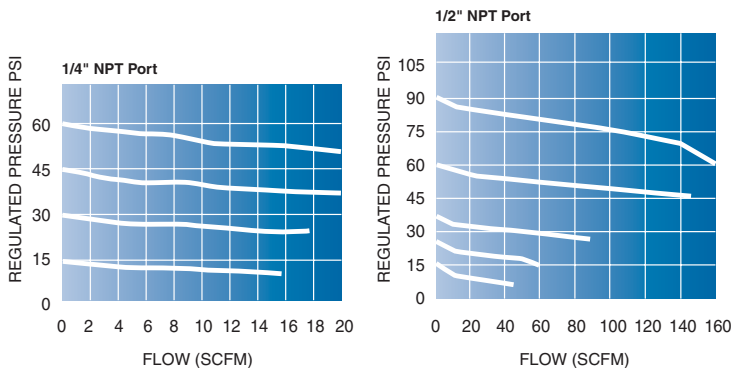
TYPE 360SS



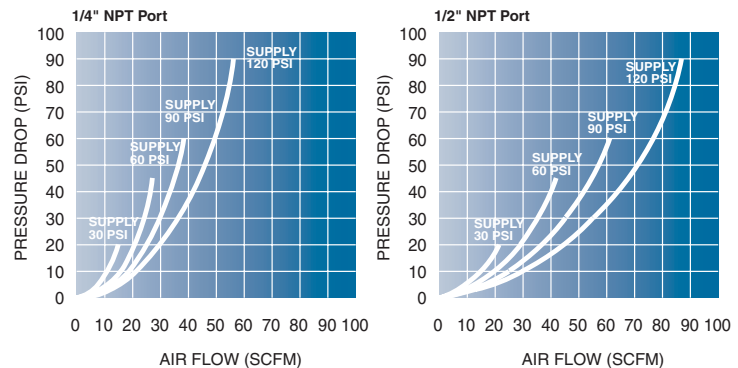
TYPE 370SS

Output Ranges:	0-30 psig (0-2.0 BAR), 0-60 psig (0-4.0 BAR), 0-100psig (0-7.0 BAR), 0-150 psig (0-10.0 BAR)		
Exhaust Capacity:	1.0 SCFM (1.7 m3/hr) at downstream pressure of 10 psig (0.7 BAR) above set point		
Maximum Supply Pressure:	290 psig (20.0 BAR)		150 psig (10.0 BAR)
Air Consumption:	4 SCFH (0.1 m3/hr) maximum		
Operating Temperatures:	-20° to +185° F (-29° C to +85° C) Low Temperature Option: -58° to +194° F (-50° to + 90° C)		
Filter:	25 micron optional 5 micron filter	Not applicable	25 micron optional 5 micron filter
Porting:	Inlet/Outlet: 1/4" NPT or 1/2" NPT Gauge (2): 1/4" NPT Exhaust: 1/8" NPT	1/4" NPT 1/4" NPT 1/8" NPT	1/4" NPT or 1/2" NPT 1/4" NPT
Materials:	AISI 316 stainless steel: body, bonnet, filter Fluorocarbon: diaphragm, seals Silicone: diaphragm, seals (low temperature option) Inconel: range spring, pintle spring		
Weight:	1/4" NPT: 2.2 lbs. (1.0 kg) 1/2" NPT: 2.8 lbs. (1.3 kg) Additional for Autodrain: 0.6 lbs. (0.3 kg)	1/4" NPT: 2.0 lbs. (0.9 kg) Not applicable	1/4" NPT: 2.1 lbs. (0.95 kg) 1/2" NPT: 2.5 lbs. (1.14 kg)

REGULATED PRESSURE VS. FLOW (TYPE 350/360SS, TYPICAL)
(0-100 psig range, 105 psig supply)



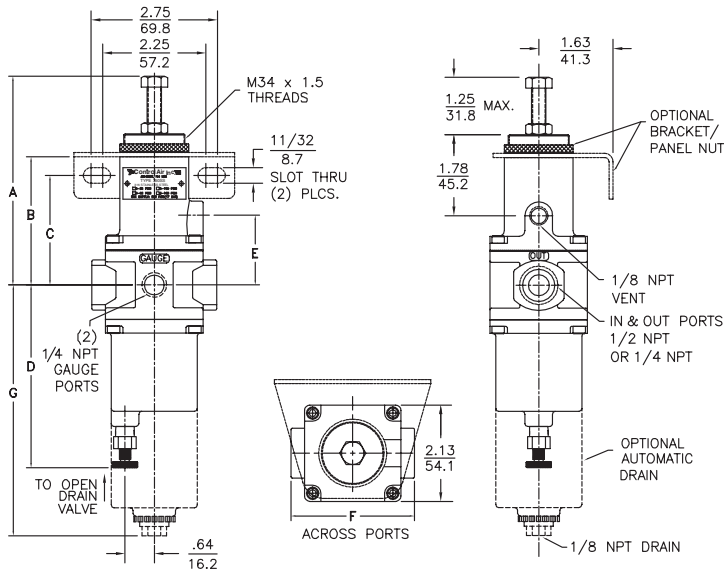
PRESSURE DROP VS. FLOW (TYPE 370SS, TYPICAL)



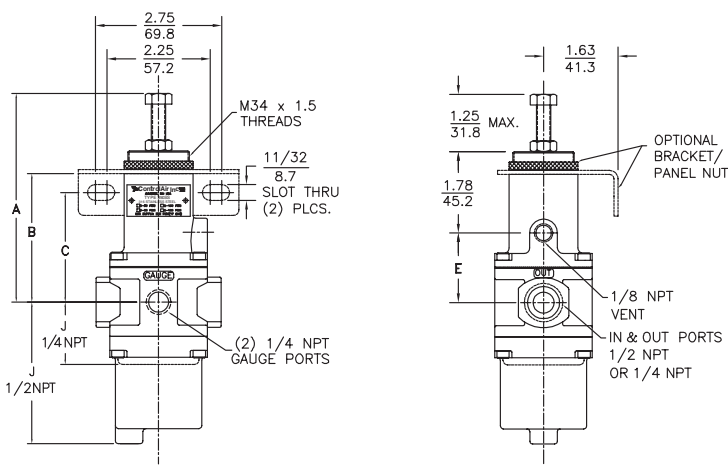
Type 350/360/370SS Dimensions Series

Port Size (NPT)	A		B		C		D		E		F		G		H		J	
	Inch	mm	Inch	mm	Inch	mm	Inch	mm	Inch	mm	Inch	mm	Inch	mm	Inch	mm	Inch	mm
1/4"	4.40	111.8	2.65	67.3	2.24	56.9	3.71	56.9	1.38	35.1	2.13	54.1	5.20	135.1	1.22	31.0	1.08	27.4
1/2"	4.54	115.3	2.79	70.9	2.39	60.7	3.98	60.7	1.52	38.6	2.72	69.1	5.46	138.7	1.36	34.5	3.08	78.2

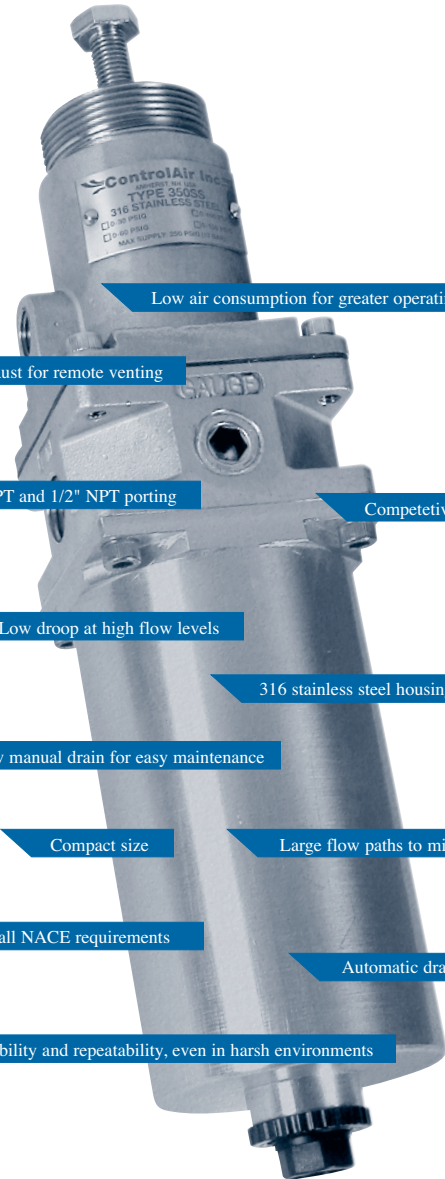
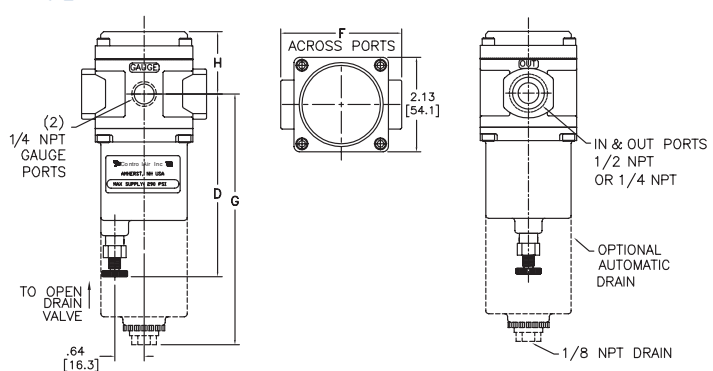
Type 350SS



Type 360SS



Type 370SS



Low air consumption for greater operating economy

Tapped exhaust for remote venting

1/4" NPT and 1/2" NPT porting

Competitively priced

Low droop at high flow levels

316 stainless steel housing and filter assemblies

High flow manual drain for easy maintenance

Compact size

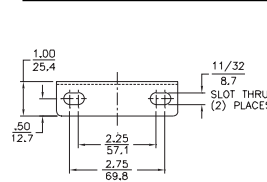
Large flow paths to minimize pressure drop

Meets all NACE requirements

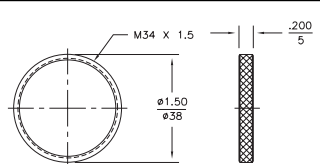
Automatic drain option (shown)

Excellent stability and repeatability, even in harsh environments

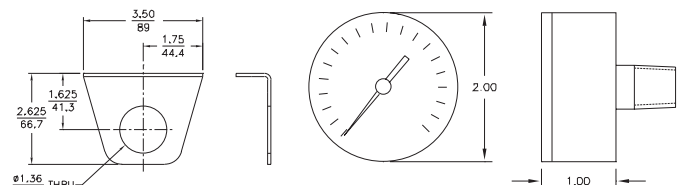
Mounting Bracket



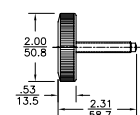
Panel Nut



Pressure Gauge



Knob



Drawing downloads available at www.controlair.com

Type 350/360/370SS Series

Ordering Information

TYPE 350SS FILTER REGULATOR

Model	Part Number	Port Size (NPT)	Output Range (psi)	Output Range (BAR)
350SS	350-BA	1/4"	0 - 30.0	0 - 2.0
350SS	350-BB	1/4"	0 - 60.0	0 - 4.0
350SS	350-BC	1/4"	0 - 100.0	0 - 7.0
350SS	350-BD	1/4"	0 - 150.0	0 - 10.0
350SS	350-DA	1/2"	0 - 30.0	0 - 2.0
350SS	350-DB	1/2"	0 - 60.0	0 - 4.0
350SS	350-DC	1/2"	0 - 100.0	0 - 7.0
350SS	350-DD	1/2"	0 - 150.0	0 - 10.0

TYPE 360SS REGULATOR

Model	Part Number	Port Size (NPT)	Output Range (psi)	Output Range (BAR)
360SS	360-BA	1/4"	0 - 30.0	0 - 2.0
360SS	360-BB	1/4"	0 - 60.0	0 - 4.0
360SS	360-BC	1/4"	0 - 100.0	0 - 7.0
360SS	360-BD	1/4"	0 - 150.0	0 - 10.0
360SS	360-DA	1/2"	0 - 30.0	0 - 2.0
360SS	360-DB	1/2"	0 - 60.0	0 - 4.0
360SS	360-DC	1/2"	0 - 100.0	0 - 7.0
360SS	360-DD	1/2"	0 - 150.0	0 - 10.0

TYPE 370SS FILTER

Model	Part Number	Port Size (NPT)
370SS	370-BX	1/4"
370SS	370-DX	1/2"

Warranty

ControlAir, Inc. products are warranted to be free from defects in materials and workmanship for a period of eighteen months from the date of sale, provided said products are used according to ControlAir, Inc. recommended usages. ControlAir, Inc.'s liability is limited to the repair, purchase price refund, or replacement in kind, at ControlAir, Inc.'s sole option, of any products proved defective. ControlAir, Inc. reserves the right to discontinue manufacture of any products or change products materials, designs or specifications without notice. Note: ControlAir does not assume responsibility for the selection, use, or maintenance of any product. Responsibility for the proper selection, use, and maintenance of any ControlAir product remains solely with the purchaser and end user.

Drawing downloads available at www.controlair.com

Options

Add proper letter at end of model number.

- N** - Nonrelieving
For constant flow or downstream pressure relief applications
- F** - 5 Micron Filter
Standard 25 micron filter is replaced with 5 micron filter for more complete air filtration
- A** - Automatic Drain (Type 350 and Type 370 only)
Float operated drain with 1/8" NPT connection. Maximum 150 psig supply pressure
- L** - Low Temperature Operation
For "Arctic" applications. Good for temperatures range of -58°F to +194°F (-50°C to +90°C). Not suitable for sour natural gas applications
- K** - Knob with stainless steel stem

Accessories

Panel Nut -P/N 446-734-052

Mounting Bracket Kit -P/N 448-542-011

Includes mounting bracket and panel nut

Pressure Gauge -2" face: dual scale: 1/4" NPT centerback connection: stainless steel case and internals

0-30 psig (0-2.0 BAR) P/N 445-725-019

0-60 psig (0-4.0 BAR) P/N 445-725-020

0-150 psig (0-10.0 BAR) P/N 445-725-021

A P P L I C A T I O N S

The Type 350/360/370SS is used extensively by OEMs and end users to supply clean air to pneumatic controllers, transmitters, transducers, valve positioners, air cylinders, and a wide range of pneumatic control systems.

Applications include:

Petrochemical processing, both on and offshore

Food, pulp and paper, and pharmaceutical processing

Pollution control

Waste water treatment



8 Columbia Drive / Amherst, NH 03031 USA

Website: www.controlair.com

Email: sales@controlair.com

603-886-9400 FAX 603-889-1844

