

Preparation of compressed air → Maintenance units and components

Filter pressure regulator, Series MH1-FRE

► G 1/4 - G 1/2 ► filter porosity: 5 µm



17548_a

Version	1-in-1
Parts	Filter, Pressure controller
Mounting orientation	vertical
Working pressure min./max.	0.5 bar / 17 bar
Medium	Compressed air
Medium temperature min./max.	-30 °C / +80 °C
Ambient temperature min./max.	-30 °C / +80 °C
Regulator type	Diaphragm-type pressure regulator
Adjustment range min./max.	0.5 bar / 9 bar
Pressure supply	single
Filter element	exchangeable
Condensate drain	semi-automatic, open without pressure

Materials:	
Housing	Stainless steel, acid-proof
Seals	Acrylonitrile Butadiene Rubber
Reservoir	Stainless steel, acid-proof
Filter insert	Stainless steel, acid-proof

Technical Remarks

- The pressure dew point must be at least 15 °C under ambient and medium temperature and may not exceed 3 °C.
- solid impurities in the compressed air at the outlet as per ISO 8573-1: class 6

	Port	Qn	Weight	Note	Part No.
		[l/min]	[kg]		
	G 1/4	310	0.65	Fig. 1	R432034652
	G 1/2	3000	2.57	Fig. 2	R432034659

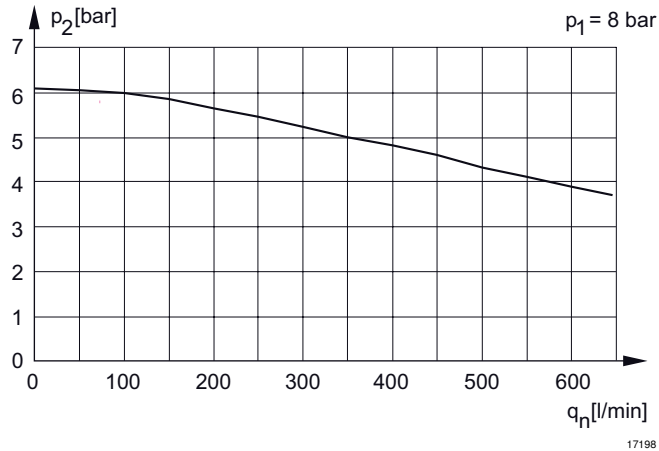
Nominal flow Qn at p1 = 6.3 bar and Δp = 1 bar

Preparation of compressed air → Maintenance units and components

Filter pressure regulator, Series MH1-FRE

▶ G 1/4 - G 1/2 ▶ filter porosity: 5 µm

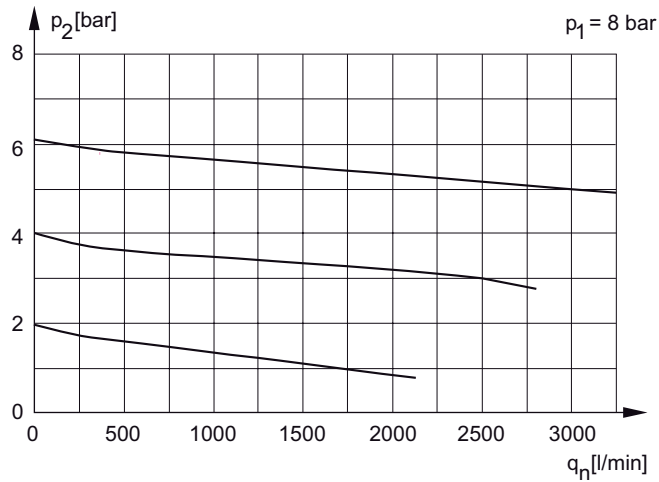
Flow rate characteristic, Fig. 1



17198

p1 = Working pressure
 p2 = Secondary pressure
 qn = Nominal flow

Flow rate characteristic, Fig. 2



17199

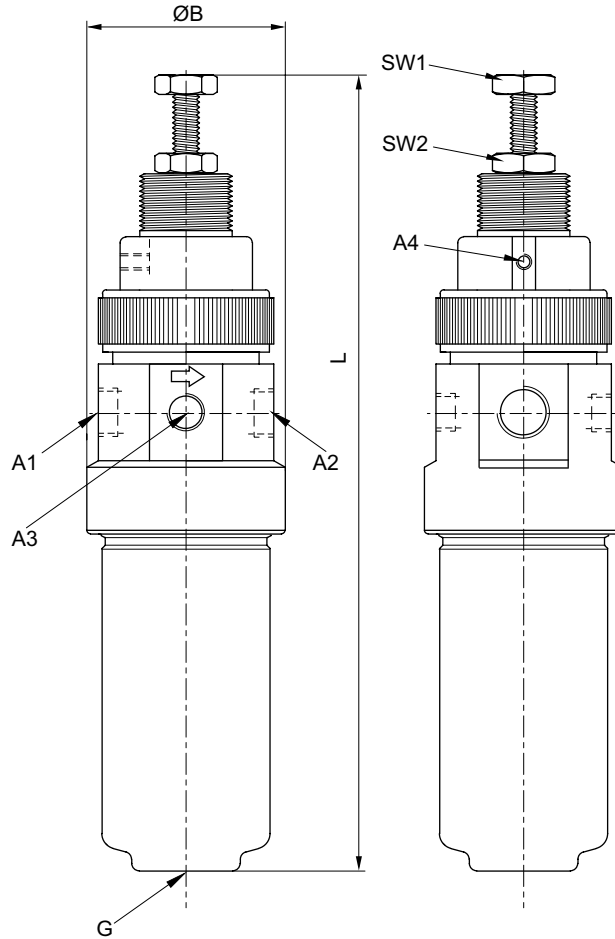
p1 = Working pressure
 p2 = Secondary pressure
 qn = Nominal flow

Preparation of compressed air → Maintenance units and components

Filter pressure regulator, Series MH1-FRE

► G 1/4 - G 1/2 ► filter porosity: 5 µm

Dimensions in mm, Fig. 1



15799

- A1 = input
- A2 = output
- A3 = pressure gauge connection
- A4 = relieving exhaust
- G = Condensate drain

A1	A2	A3	A4	L *)	ØB	G	SW1	SW2					
G 1/4	G 1/4	G 1/8	M5	170	40.6	G1/8	10	10					

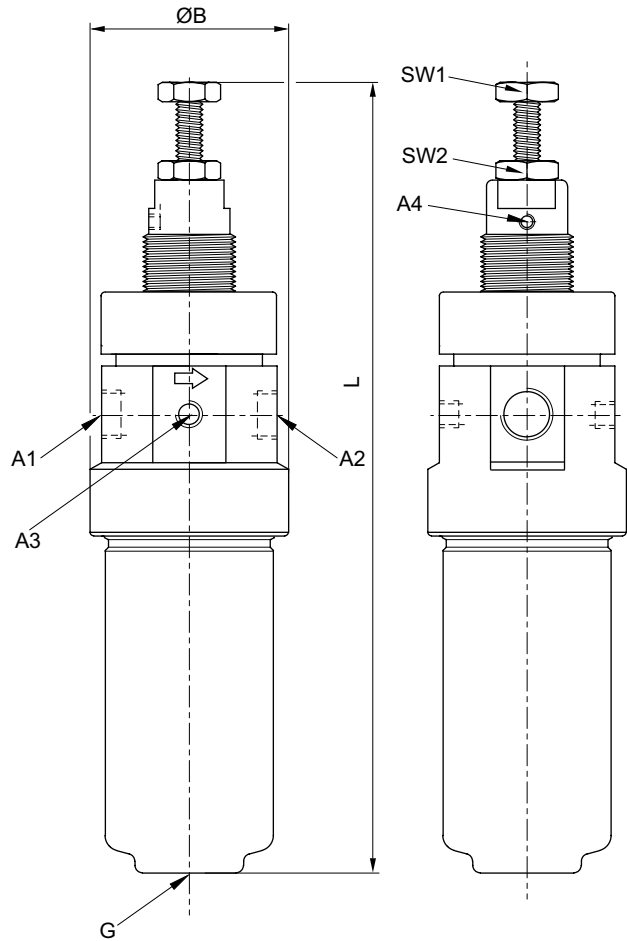
*) max.

Preparation of compressed air → Maintenance units and components

Filter pressure regulator, Series MH1-FRE

▶ G 1/4 - G 1/2 ▶ filter porosity: 5 µm

Dimensions in mm, Fig. 2



15800

A1 = input
 A2 = output
 A3 = pressure gauge connection
 A4 = relieving exhaust
 G = Condensate drain

A1	A2	A3	A4	L *)	ØB	G	SW1	SW2					
G 1/2	G 1/2	G 1/8	M5	252	63.5	G1/8	13	13					

*) max.