

Preparation of compressed air → Maintenance units and components

Filter, Series MH1-FLS

► G 1/4 - G 1/2 ► filter porosity: 5 µm



17156

Version	Standard filter
Mounting orientation	vertical
Working pressure min./max.	0.5 bar / 17 bar
Medium	Compressed air
Medium temperature min./max.	-30 °C / +80 °C
Ambient temperature min./max.	-30 °C / +80 °C
Filter element	exchangeable
filter porosity	5 µm
Condensate drain	semi-automatic, open without pressure

Materials:	
Housing	Stainless steel, acid-proof
Reservoir	Stainless steel, acid-proof
Filter insert	Stainless steel, acid-proof

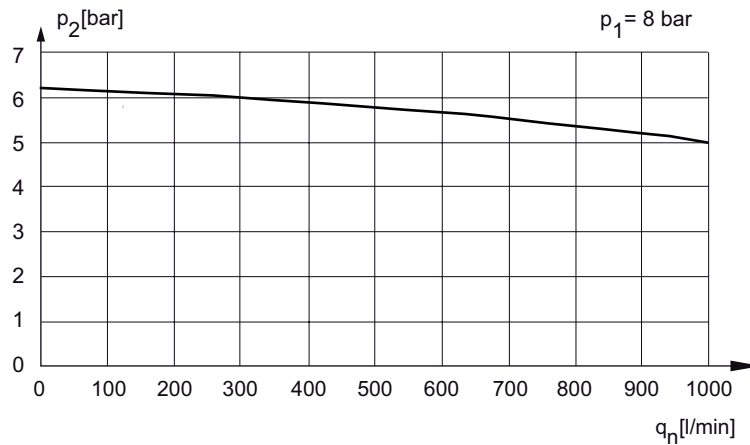
Technical Remarks

- The pressure dew point must be at least 15 °C under ambient and medium temperature and may not exceed 3 °C.
- Max. residual oil content acc. to ISO 8573-4 at the outlet: 10 mg/m³
- solid impurities in the compressed air at the outlet as per ISO 8573-1: class 6

	Port	Qn	Weight	Note	Part No.
		[l/min]	[kg]		
	G 1/4	850	0.51	Fig. 1	R432034653
	G 1/2	3800	2.01	Fig. 2	R432034660

Nominal flow Qn at p₁ = 6.3 bar and Δp = 1 bar

Flow rate characteristic, Fig. 1



17204_a

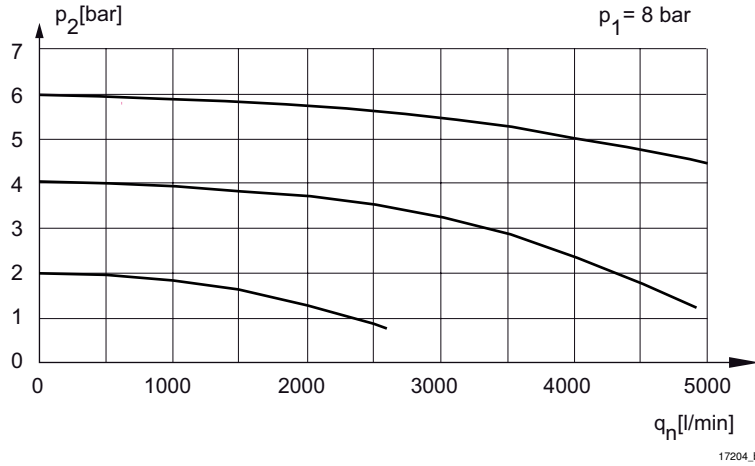
p₁ = Working pressure
 p₂ = Secondary pressure
 q_n = Nominal flow

Preparation of compressed air → Maintenance units and components

Filter, Series MH1-FLS

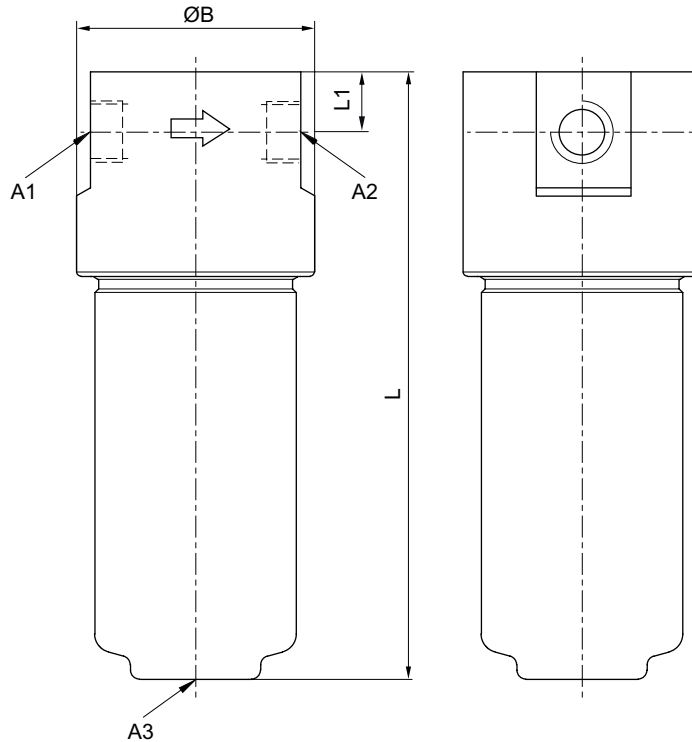
► G 1/4 - G 1/2 ► filter porosity: 5 µm

Flow rate characteristic, Fig. 2



p1 = Working pressure
 p2 = Secondary pressure
 qn = Nominal flow

Dimensions in mm



A1 = input
 A2 = output
 A3 = condensate drain

Part No.	A1	A2	A3	L	L1	ØB					
R432034653	G 1/4	G 1/4	G 1/8	139.7	10.2	40.6					

Preparation of compressed air → Maintenance units and components**Filter, Series MH1-FLS**

▶ G 1/4 - G 1/2 ▶ filter porosity: 5 µm

Part No.	A1	A2	A3	L	L1	ØB						
R432034660	G 1/2	G 1/2	G 1/8	198.1	17.5	63.5						
