

Sensor technologies → Flow sensors

Flow sensors, Series AF1

► Qn = 150 - 5000 l/min ► diaphragm principle ► Electrical connection: Plug, M12x1, 5-pin



00138948_a

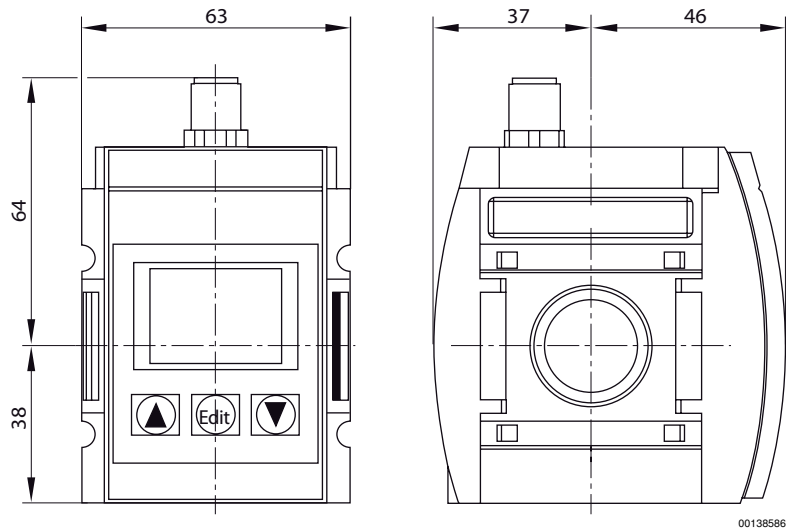
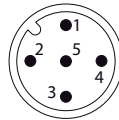
Frame size	AS3
Mounting orientation	Any
Certificates	CE declaration of conformity, with reference to the EMC directive
Output signal	2 x PNP / NPN and 1 x analog voltage 2 x PNP / NPN and 1 x analog current
Display	LED
Flow display unit	l/hl/minl/secm ³ /hgal/h
Working pressure min./max.	0 bar / 16 bar
Ambient temperature min./max.	-10 °C / +50 °C
Medium temperature min./max.	-10 °C / +50 °C
Medium	Compressed air
Max. particle size	5 µm
DC operating voltage	15 VDC
Min.	
DC operating voltage	30 VDC
Max.	
Max. power consumption	300 mA
Response time	< 15 ms
Protection class	IP 65
Materials:	
Housing	Aluminum; Polyamide
Front plate	Acrylonitrile butadiene styrene

Technical Remarks

- The pressure dew point must be at least 15 °C under ambient and medium temperature and may not exceed 3 °C.
- The protection class is only ensured when the plug is mounted properly. For detailed information, see operating instructions.
- The device is designed to be installed in AS series maintenance units or to be fitted as a stand-alone device using a W05 block assembly kit.
- The device may not be installed behind a regulator or filter regulator.
- Liquid oil or water must be separated via pre-filtration. Drifting may occur if separation is insufficient.

Qn Min.	Qn Max.	Analog output current	Analog output voltage	Precision (% of full scale value)	Weight	Part No.
[l/min]	[l/min]				[kg]	
150	2000	- 4 - 20 mA	0 - 10 V DC -	± 3 %	0.395	R412010638 R412010673
250	5000	- 4 - 20 mA	0 - 10 V DC -	± 3 %	0.395	R412010637 R412010674

Sensor technologies → Flow sensors

Flow sensors, Series AF1► $Q_n = 150 - 5000 \text{ l/min}$ ► diaphragm principle ► Electrical connection: Plug, M12x1, 5-pin**Dimensions****Pin assignment**

00138442

(1) 24 V DC (2) OUT 1 (3) 0 V (4) OUT 2 (5) Analog OUT