

Accessory Valves - Flow Control

Flow control valve, inline, Floreg®
1/8" to 1" NPTF



Floreg® Type A

Type	Standard Flow Regulation
Working Pressures	Pneumatic-Vacuum to 250 PSIG Max. Hydraulic-500 PSIG Max. Non-shock applications.
Temperature Range	-40° to +160° F (+200° F Intermittent)
Media	Air or hydraulic fluid
Port Size	1/8" to 1" NPTF



Floreg® Type B

Type	"Micrometer" or Fine Flow Regulation
Working Pressure	Vacuum to 250 PSIG Max.
Temperature Range	-40° to +160° F (+200° F Intermittent)
Media	Air
Port Size	1/8" to 1" NPTF

Operating Characteristics

The FLOREG® Valve is an adjustable device that works with other components of a fluid circuit to time, to sequence or to coordinate operations. It controls the rate at which a gas or liquid can flow in one direction through a circuit, yet allows free flow in the opposite direction.

CONTROLLED FLOW-Fluid flow is limited by orifice created by diameter differences of valve and valve seat.

FREE FLOW-Fluid forces valve upward to compress spring and increase orifice to maximum size.

Spring holds valve on its seat in body. Adjusting screw raises valve from seat for flow.

Type A - Standard Flow Regulation

Size NPTF	C _v	Part Number - Valve current (old)	Approx. Valve Weight (oz.)	Part Number - Repair Kit* current (old)
1/8"	1.50	R432006861 (P -066693-00000)	2.5	R431007472 (P -069547-00000)
1/4"	1.81	R431003089 (P -053025-00002)	2.5	R431007472 (P -069547-00000)
3/8"	3.37	R431003085 (P -053020-00002)	3.5	R431007473 (P -069548-00000)
1/2"	4.95	R431003081 (P -053010-00002)	6.0	R431007474 (P -069549-00000)
3/4"	9.50	R431003539 (P -055010-00000)	21.0	R431007475 (P -069550-00000)
1"	13.78	R431003496 (P -054986-00000)	22.0	R431007475 (P -069550-00000)

*Repair kits include plunger assembly, screw, spring and 'o' rings.

Type B - Micrometer or Fine Flow Regulation

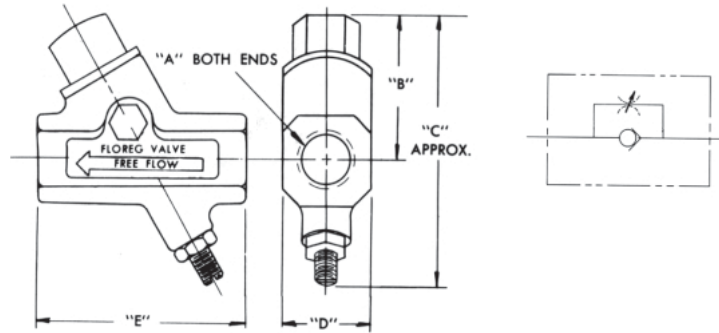
Size NPTF	C _v	Part Number - Valve current (old)	Approx. Valve Weight (oz.)	Part Number - Repair Kit* current (old)
1/8"	1.16	R431003544 (P -055017-00000)	3.25	R431007476 (P -069551-00000)
1/4"	1.28	R431003545 (P -055018-00000)	3.25	R431007476 (P -069551-00000)
3/8"	2.98	R431003546 (P -055019-00000)	4.5	R431007477 (P -069552-00000)
1/2"	3.35	R431003547 (P -055020-00000)	8.5	R431007478 (P -069553-00000)
3/4"	9.50	R431003551 (P -055021-00000)	27.0	R431007479 (P -069554-00000)
1"	13.28	R431003552 (P -055022-00000)	25.0	R431007479 (P -069554-00000)

*Repair kits include plunger assembly, screw, spring and 'o' rings.

Accessory Valves - Flow Control

Flow control valve, inline, Floreg®
1/8" to 1" NPTF

Rexroth
Bosch Group



DIMENSIONS

Size	A	B	C	D	E
1/8"	1/8"-27 Dryseal NPTF	1 1/4"	2 7/16"	7/8"	2"
1/4"	1/4"-18 Dryseal NPTF	1 1/4"	2 7/16"	7/8"	2"
3/8"	3/8"-18 Dryseal NPTF	1 1/2"	3"	1"	2 3/8"
1/2"	1/2"-14 Dryseal NPTF	1 5/8"	3 3/16"	1 1/4"	2 3/4"
3/4"	3/4"-14 Dryseal NPTF	2 1/2"	4 3/4"	2"	4"
1"	1"-11 1/2 Dryseal NPTF	2 1/2"	4 3/4"	2"	4"