

## Preparation of compressed air → Maintenance units and components

## Diaphragm-type dryer, Series AS2-ADD

► G 3/8



Version	Diaphragm-type dryer
Mounting orientation	vertical
Working pressure min./max.	4 bar / 12.5 bar
Medium	Compressed air
Medium temperature min./max.	+2 °C / +50 °C
Ambient temperature min./max.	+2 °C / +50 °C
Filter element	not exchangeable
Lowering pressure dew point	20 °C
<b>Materials:</b>	
Housing	Polyamide
Front plate	Acrylonitrile butadiene styrene
Seals	Acrylonitrile Butadiene Rubber
Threaded bushing	Die cast zinc
Reservoir	Aluminum

**Technical Remarks**

- The pressure dew point must be at least 15 °C under ambient and medium temperature and may not exceed 3 °C.
- Notice: air may not contain condensate
- purge air approx. 12% of nominal flow Qn
- Recommended pre-filtering [μm]: 5 / 0.01 μm

	Port	Qn	Weight	Fig.	Note	Part No.
		[l/min]	[kg]			
	G 3/8	50	0.48	Fig. 1	-	R412006078
		100	0.57	Fig. 1	-	R412006079
		150	0.69	Fig. 1	-	R412006080
		200	0.7	Fig. 1	-	R412006081
		300	1.43	Fig. 2	1)	R412006082
		400	1.73	Fig. 2	1)	R412006083

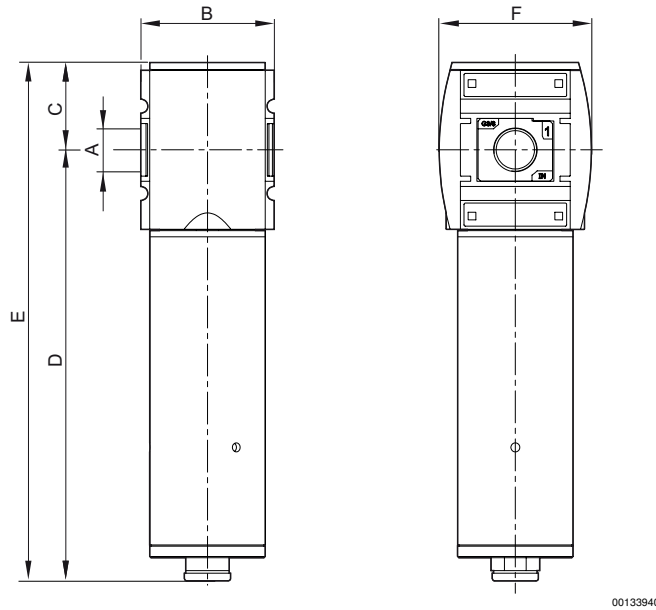
1) incl. distributor

## Preparation of compressed air → Maintenance units and components

## Diaphragm-type dryer, Series AS2-ADD

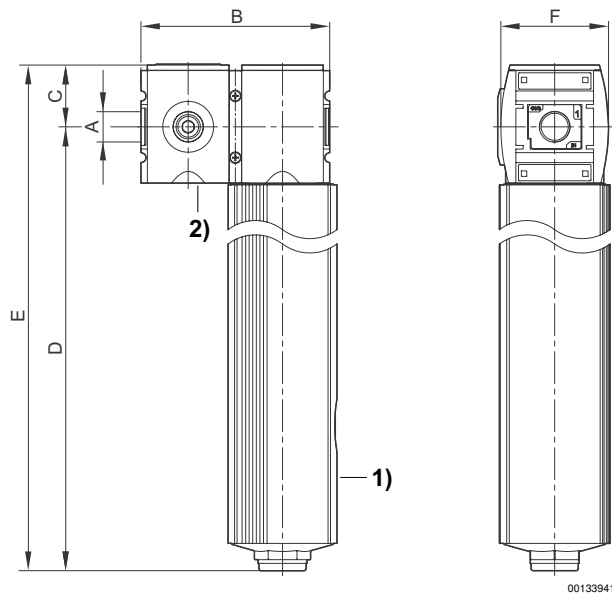
▶ G 3/8

Dimensions, Fig. 1



Part No.	A	B	C	D	E	F						
R412006078	G 3/8	52	34	167.9	201.9	59						
R412006079	G 3/8	52	34	217.9	251.9	59						
R412006080	G 3/8	52	34	257.9	291.9	59						
R412006081	G 3/8	52	34	317.9	351.9	59						

Dimensions, Fig. 2



- 1) Diaphragm-type dryer  
2) Distributor

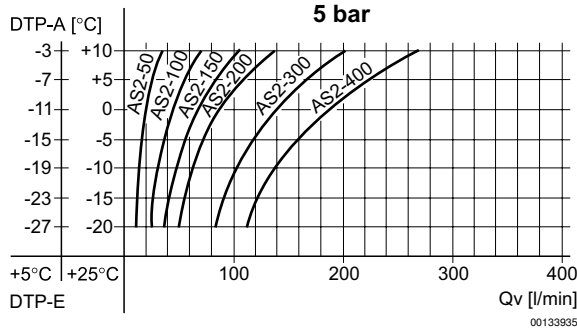
Preparation of compressed air → Maintenance units and components

**Diaphragm-type dryer, Series AS2-ADD**

► G 3/8

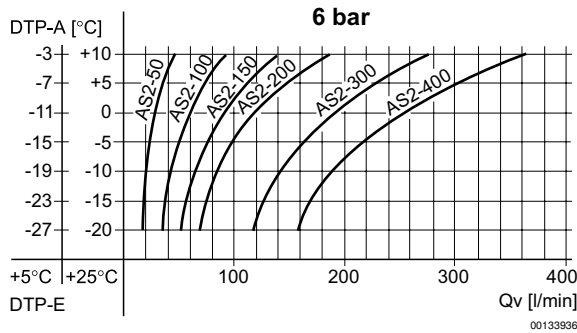
Part No.	A	B	C	D	E	F					
R412006082	G 3/8	104	34	412	446	59					
R412006083	G 3/8	104	34	472	506	59					

**performance charts**



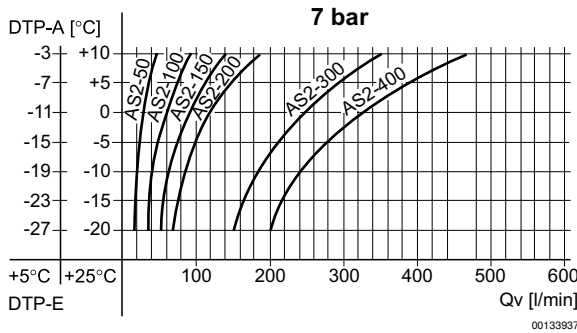
DTP-E: pressure dew point input  
 DTP-A: pressure dew point output  
 Qv: input flow rate (nominal flow rate Qn + purge air)

**performance charts**



DTP-E: pressure dew point input  
 DTP-A: pressure dew point output  
 Qv: input flow rate (nominal flow rate Qn + purge air)

**performance charts**



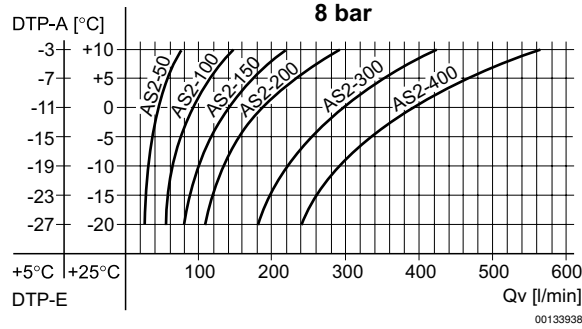
DTP-E: pressure dew point input  
 DTP-A: pressure dew point output  
 Qv: input flow rate (nominal flow rate Qn + purge air)

Preparation of compressed air → Maintenance units and components

Diaphragm-type dryer, Series AS2-ADD

► G 3/8

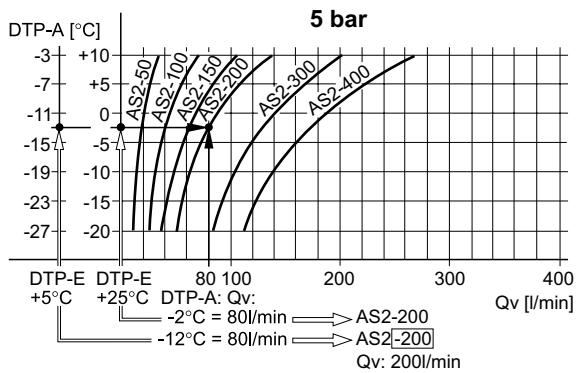
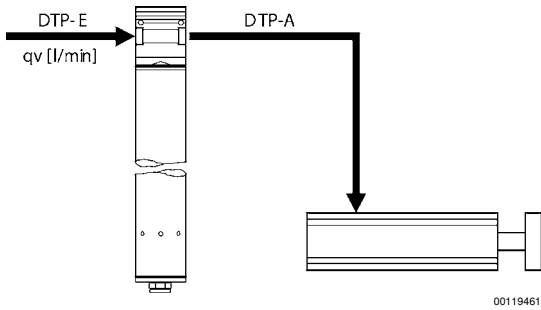
performance charts



DTP-E: pressure dew point input  
 DTP-A: pressure dew point output  
 Qv: input flow rate (nominal flow rate Qn + purge air)

**Example wanted:**  
 suitable membrane dryer

**Example given values:** Qn = 80 l/min, DTP-E = +5 [+25] °C  
**searched values:** DTP-A = -12 [-2] °C a suitable membrane dryer



Result: membrane dryer series AS2-200  
 (with a Qn of 200 l/min), part no. R412006081

## Preparation of compressed air → Maintenance units and components

## Diaphragm-type dryer, Series AS3-ADD

► G 1/2



Version	Diaphragm-type dryer
Mounting orientation	vertical
Working pressure min./max.	4 bar / 12.5 bar
Medium	Compressed air
Medium temperature min./max.	+2 °C / +50 °C
Ambient temperature min./max.	+2 °C / +50 °C
Filter element	not exchangeable
Lowering pressure dew point	20 °C
<b>Materials:</b>	
Housing	Polyamide
Front plate	Acrylonitrile butadiene styrene
Seals	Acrylonitrile Butadiene Rubber
Threaded bushing	Die cast zinc
Reservoir	Aluminum

**Technical Remarks**

- The pressure dew point must be at least 15 °C under ambient and medium temperature and may not exceed 3 °C.
- Notice: air may not contain condensate
- purge air approx. 12% of nominal flow Qn
- Recommended pre-filtering [μm]: 5 / 0.01 μm

	Port	Qn	Weight	Fig.	Note	Part No.
		[l/min]	[kg]			
	G 1/2	400	2.03	Fig. 1	-	R412007078
		500	3.26	Fig. 2	1)	R412007079
		660	3.56	Fig. 2	1)	R412007080
		950	3.9	Fig. 2	1)	<b>R412007081</b>

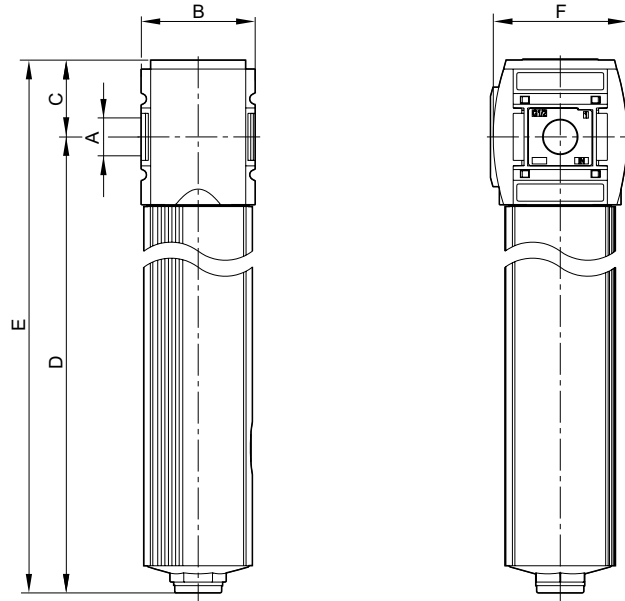
1) incl. distributor

## Preparation of compressed air → Maintenance units and components

## Diaphragm-type dryer, Series AS3-ADD

▶ G 1/2

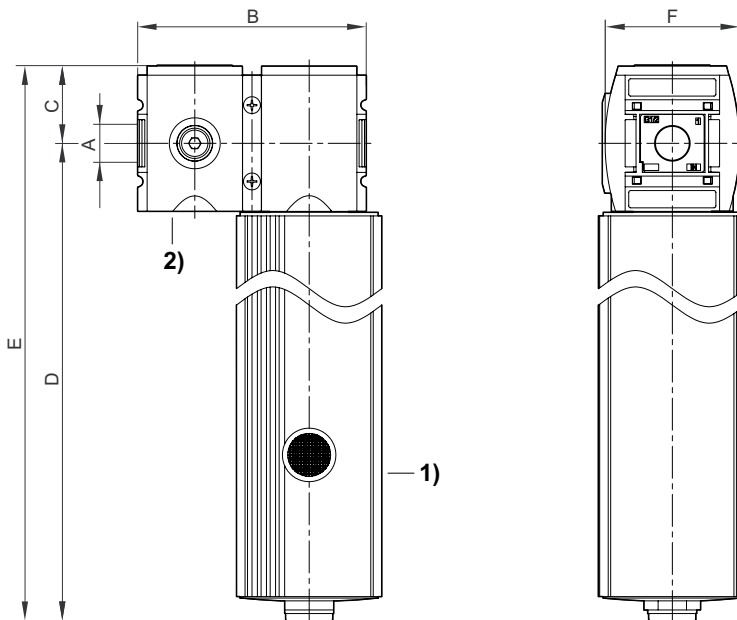
Dimensions, Fig. 1



00133947

Part No.	A	B	C	D	E	F						
R412007078	G 1/2	63	43	478	521	74						

Dimensions, Fig. 2



00133948

- 1) Diaphragm-type dryer  
2) Distributor

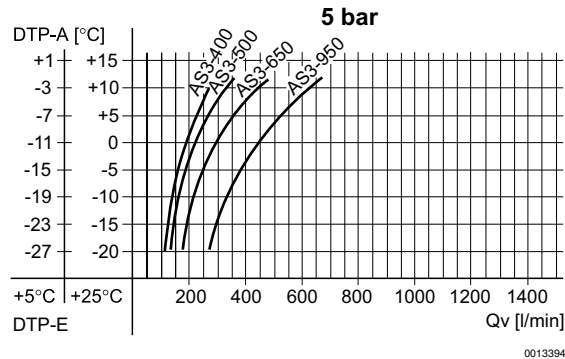
Preparation of compressed air → Maintenance units and components

**Diaphragm-type dryer, Series AS3-ADD**

► G 1/2

Part No.	A	B	C	D	E	F					
R412007079	G 1/2	126	43	464	507	74					
R412007080	G 1/2	126	43	515	558	74					
<b>R412007081</b>	G 1/2	126	43	584	627	74					

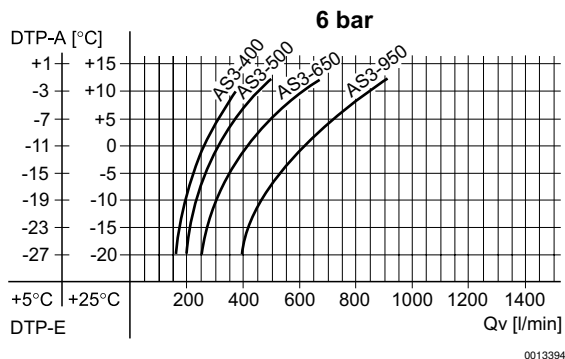
performance charts



00133942

DTP-E: pressure dew point input  
 DTP-A: pressure dew point output  
 Qv: input flow rate (nominal flow rate Qn + purge air)  
 For different conditions, please contact the nearest Bosch Rexroth sales office.

performance charts



00133943

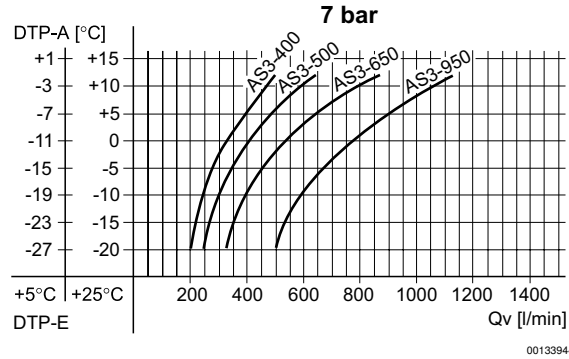
DTP-E: pressure dew point input  
 DTP-A: pressure dew point output  
 Qv: input flow rate (nominal flow rate Qn + purge air)  
 For different conditions, please contact the nearest Bosch Rexroth sales office.

## Preparation of compressed air → Maintenance units and components

## Diaphragm-type dryer, Series AS3-ADD

▶ G 1/2

## performance charts



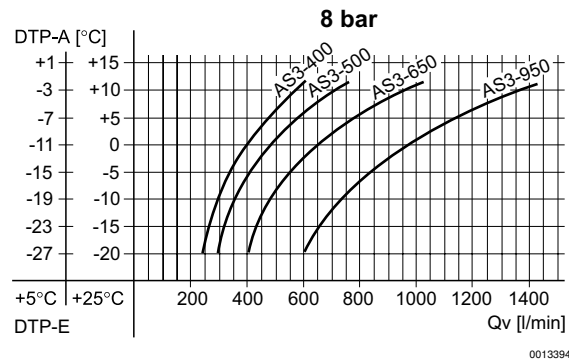
DTP-E: pressure dew point input

DTP-A: pressure dew point output

Qv: input flow rate (nominal flow rate Qn + purge air)

For different conditions, please contact the nearest Bosch Rexroth sales office.

## performance charts



DTP-E: pressure dew point input

DTP-A: pressure dew point output

Qv: input flow rate (nominal flow rate Qn + purge air)

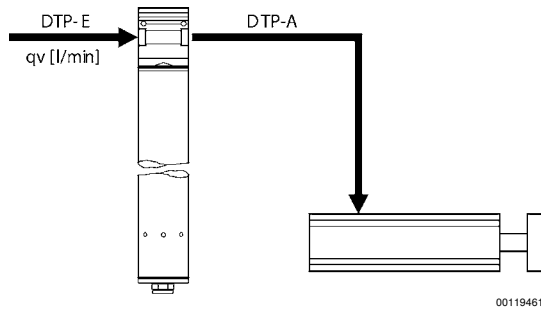
For different conditions, please contact the nearest Bosch Rexroth sales office.

Preparation of compressed air → Maintenance units and components

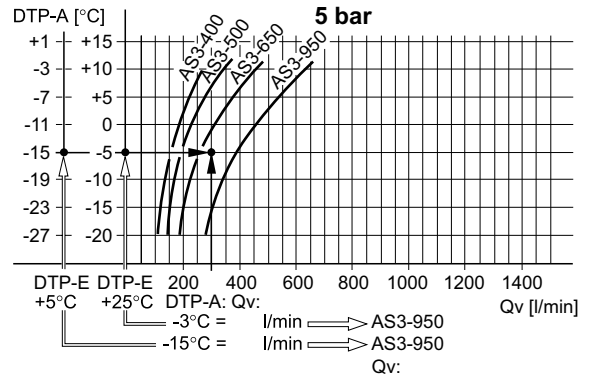
Diaphragm-type dryer, Series AS3-ADD

► G 1/2

**Example wanted:**  
suitable membrane dryer



**Example given values:**  $Q_n = 350 \text{ l/min}$ ,  $DTP-E = +5 [+25]^\circ\text{C}$ ,  
**searched values:**  $DTP-A = -15 [-3]^\circ\text{C}$  a suitable membrane dryer



Result: membrane dryer series AS3-950  
(with a  $Q_n$  of 950 l/min), part no. R412007081