

Standard Runner Blocks, Resist CR version

## Runner Blocks

### General notes on runner blocks R18.. ...6. Resist CR

For part numbers, see the following pages. For dimensions, load capacities, rigidity and moment loads, please refer to the corresponding runner blocks R18.. ... 10.  
For notes on special features, please refer to runner blocks R18.. ... 1.

### Runner block short names

FNS = Flanged, normal, standard height  
FLS = Flanged, long, standard height  
SNH = Slimline, normal, high  
SLH = Slimline, long, high  
SLS = Slimline, long, standard height

### Corrosion-resistant coating Resist CR: matte silver hard chrome plated

Runner blocks R18.. ... 6. with corrosion-resistant coating Resist CR, matte silver hard chrome plated, replace the runner blocks with zinc-iron coating.

### Preload class

C2 = preload 8% C

### Different tolerances for Resist CR coating

#### Caution!

For runner blocks and guide rails in Resist CR, matte silver hard chrome plated, different tolerances apply for the dimensions H and A<sub>3</sub> (see "Accuracy classes and their tolerances").

### Higher preload for combinations of hard chrome plated runner blocks with hard chrome plated guide rails

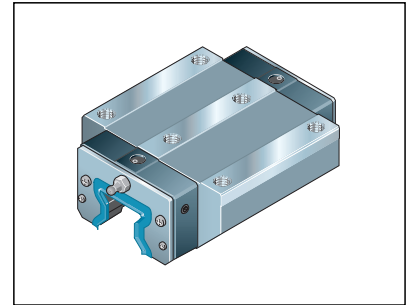
When hard chrome plated runner blocks with preload C2 = 8% C are combined with hard chrome plated guide rails, the preload increases to approx. 10% C.

Standard Runner Blocks, Resist CR version

## Runner Blocks

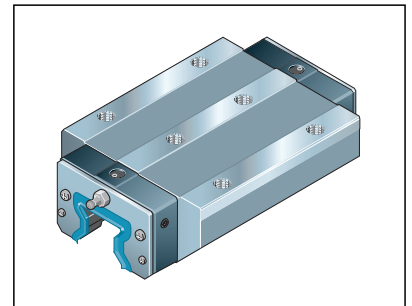
### Runner block FNS R1851 ... 60

Size	Accuracy class <sup>1)</sup>	Part numbers for preload class C2
25	H	R1851 223 60
35	H	R1851 323 60
45	H	R1851 423 60
55	H	R1851 523 60
65	H	R1851 623 60



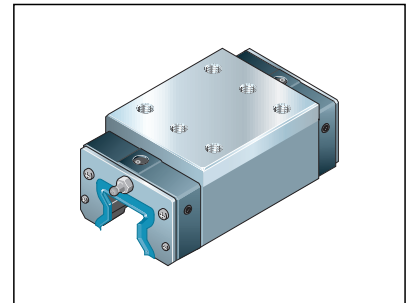
### Runner block FLS R1853 ... 60

Size	Accuracy class <sup>1)</sup>	Part numbers for preload class C2
25	H	R1853 223 60
35	H	R1853 323 60
45	H	R1853 423 60
55	H	R1853 523 60
65	H	R1853 623 60



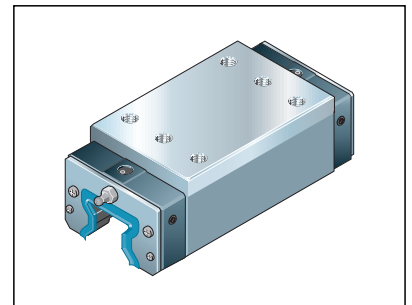
### Runner block SNH R1821 ... 60

Size	Accuracy class <sup>1)</sup>	Part numbers for preload class C2
25	H	R1821 223 60
35	H	R1821 323 60
45	H	R1821 423 60
55	H	R1821 523 60



### Runner block SLH R1824 ... 60

Size	Accuracy class <sup>1)</sup>	Part numbers for preload class C2
25	H	R1824 223 60
35	H	R1824 323 60
45	H	R1824 423 60
55	H	R1824 523 60
65	H	R1824 623 60



1) Accuracy classes P and SP on request

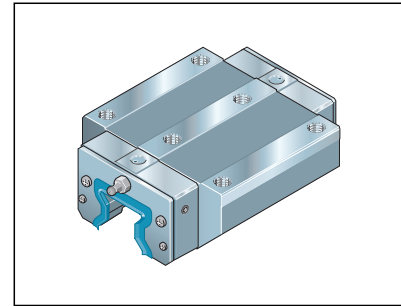
#### Caution!

Please read the general notes on runner blocks R18.. ... 6., Resist CR version!

Standard Runner Blocks, Resist CR version

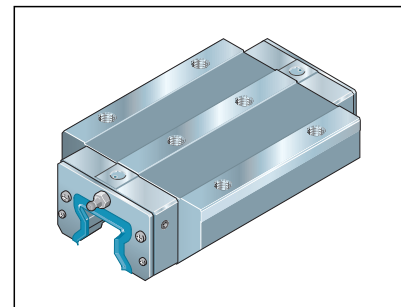
## Runner Blocks with Aluminum End Caps

Size	Accuracy class <sup>1)</sup>	Part numbers for preload class C2
25 <sup>2)</sup>	H	–
35	H	R1851 323 63
45	H	R1851 423 63
55	H	R1851 523 63
65	H	R1851 623 63



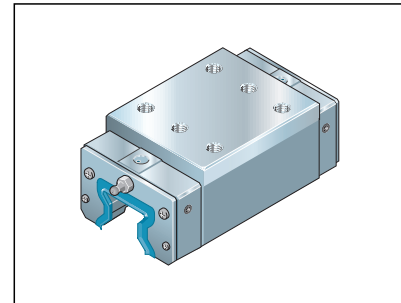
### Runner block FLS R1853 ... 63

Size	Accuracy class <sup>1)</sup>	Part numbers for preload class C2
25 <sup>2)</sup>	H	–
35	H	R1853 323 63
45	H	R1853 423 63
55	H	R1853 523 63
65	H	R1853 623 63



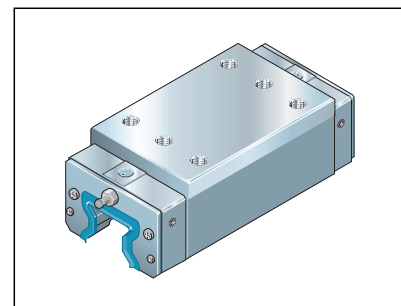
### Runner block SNH R1821 ... 63

Size	Accuracy class <sup>1)</sup>	Part numbers for preload class C2
25 <sup>2)</sup>	H	–
35	H	R1821 323 63
45	H	R1821 423 63
55	H	R1821 523 63



### Runner block SLH R1824 ... 63 Size 65: SLS R1824 ... 63

Size	Accuracy class <sup>1)</sup>	Part numbers for preload class C2
25 <sup>2)</sup>	H	–
35	H	R1824 323 63
45	H	R1824 423 63
55	H	R1824 523 63
65	H	R1824 623 63



1) Accuracy classes P and SP on request

2) Size 25 in preparation

#### Caution!

Please read the general notes on runner blocks R18.. ... 6., Resist CR version!

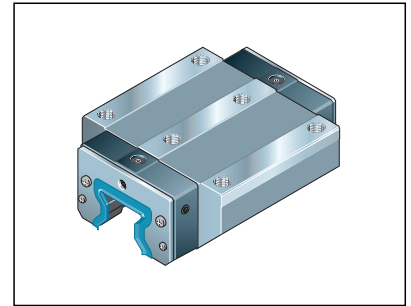
For notes on special features, please refer to runner blocks R18.. ... 13.

Standard Runner Blocks, Resist CR version

## Runner Blocks for Oil and Grease Lubrication From Above

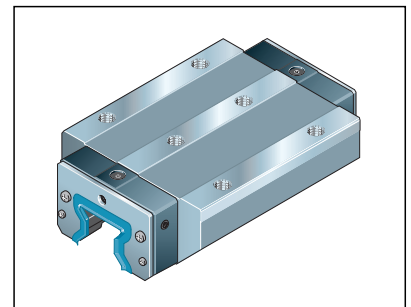
### Runner block FNS R1851 ... 66

Size	Accuracy class <sup>1)</sup>	Part numbers for preload class C2
25	H	R1851 223 66
35	H	R1851 323 66
45	H	R1851 423 66
55	H	R1851 523 66
65	H	R1851 623 66



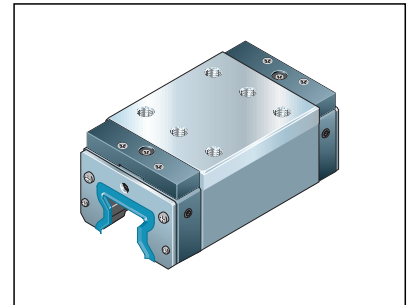
### Runner block FLS R1853 ... 66

Size	Accuracy class <sup>1)</sup>	Part numbers for preload class C2
25	H	R1853 223 66
35	H	R1853 323 66
45	H	R1853 423 66
55	H	R1853 523 66
65	H	R1853 623 66



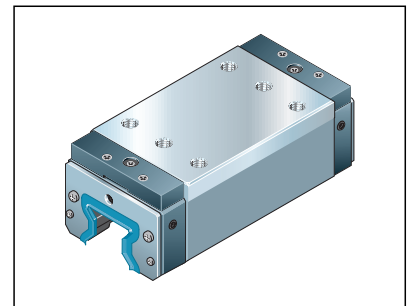
### Runner block SNH R1821 ... 66

Size	Accuracy class <sup>1)</sup>	Part numbers for preload class C2
25	H	R1821 223 66
35	H	R1821 323 66
45	H	R1821 423 66
55	H	R1821 523 66



### Runner block SLH R1824 ... 66

Size	Accuracy class <sup>1)</sup>	Part numbers for preload class C2
25	H	R1824 223 66
35	H	R1824 323 66
45	H	R1824 423 66
55	H	R1824 523 66



1) Accuracy classes P and SP on request

#### Caution!

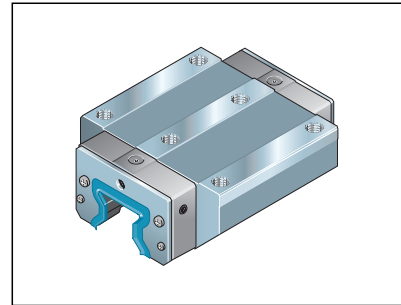
Please read the general notes on runner blocks R18.. ... 6., Resist CR version!  
For notes on special features, please refer to runner blocks R18.. ... 16.

Standard Runner Blocks, Resist CR version

## Runner Blocks for Central Oil Lubrication Systems

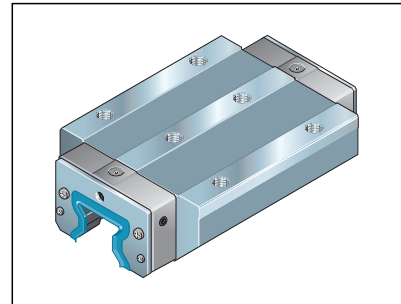
### Runner block FNS R1851 ... 67

Size	Accuracy class <sup>1)</sup>	Part numbers for preload class C2
35	H	R1851 323 67
45	H	R1851 423 67
55	H	R1851 523 67



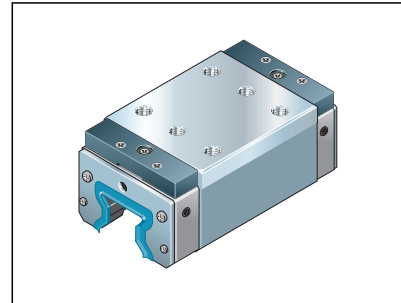
### Runner block FLS R1853 ... 67

Size	Accuracy class <sup>1)</sup>	Part numbers for preload class C2
35	H	R1853 323 67
45	H	R1853 423 67
55	H	R1853 523 67



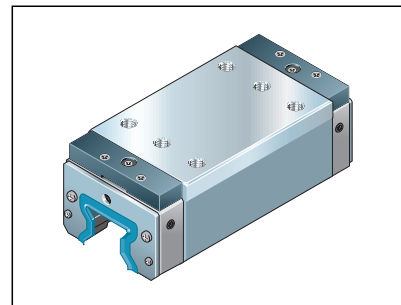
### Runner block SNH R1821 ... 67

Size	Accuracy class <sup>1)</sup>	Part numbers for preload class C2
35	H	R1821 323 67
45	H	R1821 423 67
55	H	R1821 523 67



### Runner block SLH R1824 ... 67

Size	Accuracy class <sup>1)</sup>	Part numbers for preload class C2
35	H	R1824 323 67
45	H	R1824 423 67
55	H	R1824 523 67



1) Accuracy classes P and SP on request

#### Caution!

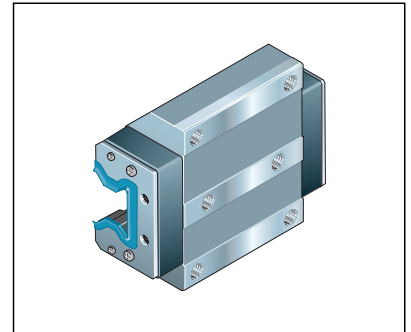
Please read the general notes on runner blocks R18... .. 6., Resist CR version!  
For notes on special features, please refer to runner blocks R18.. .. 17.

Standard Runner Blocks, Resist CR version

## Runner Blocks for Wall Mounting

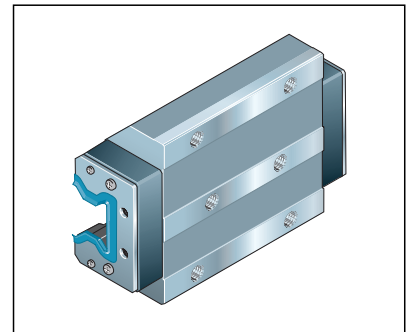
### Runner block FNS R1851 ... 68

Size	Accuracy class <sup>1)</sup>	Part numbers for preload class C2
35	H	R1851 323 68
45	H	R1851 423 68
55	H	R1851 523 68



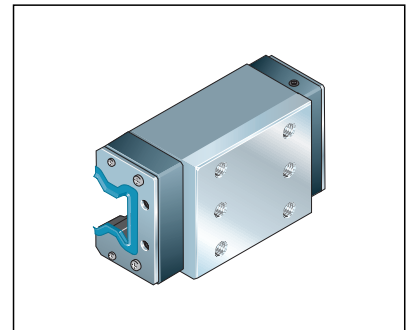
### Runner block FLS R1853 ... 68

Size	Accuracy class <sup>1)</sup>	Part numbers for preload class C2
35	H	R1853 323 68
45	H	R1853 423 68
55	H	R1853 523 68



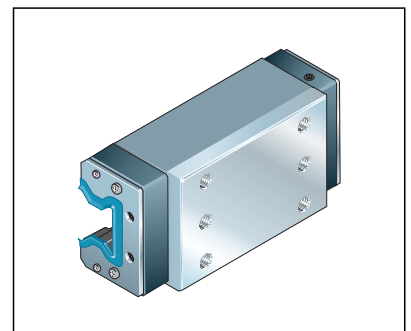
### Runner block SNH R1821 ... 68

Size	Accuracy class <sup>1)</sup>	Part numbers for preload class C2
35	H	R1821 323 68
45	H	R1821 423 68
55	H	R1821 523 68



### Runner block SLH R1824 ... 68

Size	Accuracy class <sup>1)</sup>	Part numbers for preload class C2
35	H	R1824 323 68
45	H	R1824 423 68
55	H	R1824 523 68



1) Accuracy classes P and SP on request

#### Caution!

Please read the general notes on runner blocks R18... .. 6., Resist CR version!  
For notes on special features, please refer to runner blocks R18... .. 18.