

Standard Guide Rails, Resist CR version

## Guide Rails

### General notes on guide rails in Resist CR

For part numbers, see the following pages.  
For recommended rail lengths, dimensions and weights, please refer to the corresponding standard guide rails, steel version.

### Corrosion-resistant coating Resist CR: matte silver hard chrome plated

Guide rails with corrosion-resistant coating Resist CR, matte silver hard chrome plated, replace the guide rails with zinc-iron coating.

### One-piece guide rails with coated or uncoated end faces

One-piece Resist CR guide rails are available in two versions:

- End faces **uncoated** (on request in some cases), identified by part numbers:
  - R18.. ... 31 or
  - R18.. ... 61
- End faces, chamfers and end-face threads coated, identified by part numbers:
  - R18.. ... 41 or
  - R18.. ... 71

In composite Resist CR guide rails the joint faces are coated as well as the end faces.

### Different tolerances for Resist CR coating

**Caution!**  
For runner blocks and guide rails in Resist CR, matte silver hard chrome plated, different tolerances apply for the dimensions H and  $A_3$  (see "Accuracy classes and their tolerances").

### Higher preload for combinations of hard chrome plated runner blocks with hard chrome plated guide rails

When hard chrome plated runner blocks with preload  $C2 = 8\% C$  are combined with hard chrome plated guide rails, the preload increases to approx.  $10\% C$ .

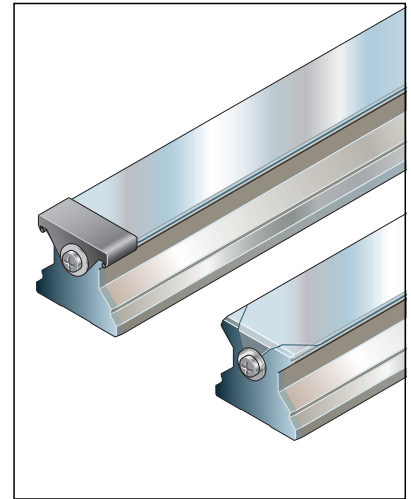
Standard Guide Rails, Resist CR version

## Guide Rails with Cover Strip

### Guide rail R1845 .6. ..

For mounting from above, with cover strip and screw-down protective caps

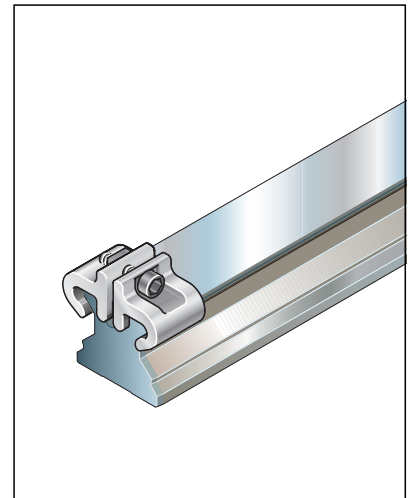
Size	Accuracy class <sup>1)</sup>	Guide rail One-piece Part number, Rail length L (mm)	Composite Part number and number of sections, Rail length L (mm)
25	H	R1845 263 31, ....	–
		R1845 263 41, ....	R1845 263 4., ....
35	H	R1845 363 61, ....	–
		R1845 363 71, ....	R1845 363 7., ....
45	H	R1845 463 61, ....	–
		R1845 463 71, ....	R1845 463 7., ....
55	H	R1845 563 61, ....	–
		R1845 563 71, ....	R1845 563 7., ....
65	H	R1845 663 61, ....	–
		R1845 663 71, ....	R1845 663 7., ....



### Guide rail R1845 .3. ..

For mounting from above, with cover strip and strip clamps

Size	Accuracy class <sup>1)</sup>	Guide rail One-piece Part number, Rail length L (mm)	Composite Part number and number of sections, Rail length L (mm)
25	H	R1845 233 31, ....	–
		R1845 233 41, ....	R1845 233 4., ....
35	H	R1845 333 61, ....	–
		R1845 333 71, ....	R1845 333 7., ....
45	H	R1845 433 61, ....	–
		R1845 433 71, ....	R1845 433 7., ....
55	H	R1845 533 61, ....	–
		R1845 533 71, ....	R1845 533 7., ....
65	H	R1845 633 61, ....	–
		R1845 633 71, ....	R1845 633 7., ....



1) Accuracy classes P and SP on request

#### Caution!

Please read the general notes on guide rails in Resist CR!

For recommended rail lengths, dimensions and weights, as well as notes on securing the cover strip, please refer to the corresponding standard guide rails, steel version, part numbers:

- R1805 .6. .. (with protective end caps)
- R1805 .3. .. (with strip clamps)

Standard Guide Rails, Resist CR version

## Guide Rails for Cover Strip

### Guide rail R1845 .7. ..

For mounting from above, for cover strip (not included)

Size	Accuracy class <sup>1)</sup>	Guide rail One-piece Part number, Rail length L (mm)	Composite Part number and number of sections, Rail length L (mm)
25	H	R1845 273 31, ....	-
		R1845 273 41, ....	R1845 273 4., ....
35	H	R1845 373 31, ....	-
		R1845 373 41, ....	R1845 373 4., ....
45	H	R1845 473 31, ....	-
		R1845 473 41, ....	R1845 473 4., ....
55	H	R1845 573 31, ....	-
		R1845 573 41, ....	R1845 573 4., ....
65	H	R1845 673 31, ....	-
		R1845 673 41, ....	R1845 673 4., ....

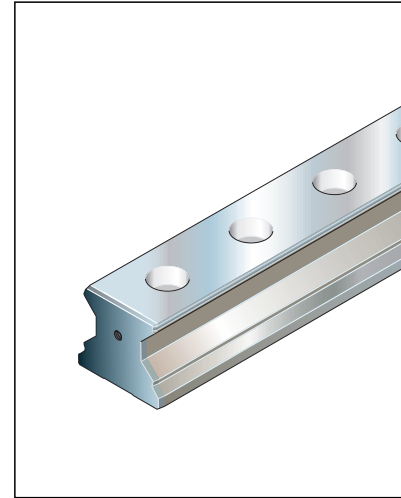
1) Accuracy classes P and SP on request

#### Caution!

Please read the general notes on guide rails in Resist CR!  
For recommended rail lengths, dimensions and weights, please refer to the corresponding standard guide rails, steel version, part numbers R1805 .2. ..

#### Notes

The cover strip and strip clamps or protective caps must be ordered separately. For part numbers and dimensions see "Accessories".



Standard Guide Rails, Resist CR version

## Guide Rails with Plastic Mounting Hole Plugs

### Guide rail R1845 .0. ..

For mounting from above, with plastic mounting hole plugs (included)

Size	Accuracy class <sup>1)</sup>	Guide rail One-piece Part number, Rail length L (mm)	Composite Part number and number of sections, Rail length L (mm)
25	H	R1845 203 31, ....	–
		R1845 203 41, ....	R1845 203 4., ....
35	H	R1845 303 31, ....	–
		R1845 303 41, ....	R1845 303 4., ....
45	H	R1845 403 31, ....	–
		R1845 403 41, ....	R1845 403 4., ....
55	H	R1845 503 31, ....	–
		R1845 503 41, ....	R1845 503 4., ....
65	H	R1845 603 31, ....	–
		R1845 603 41, ....	R1845 603 4., ....

1) Accuracy classes P and SP on request

#### Caution!

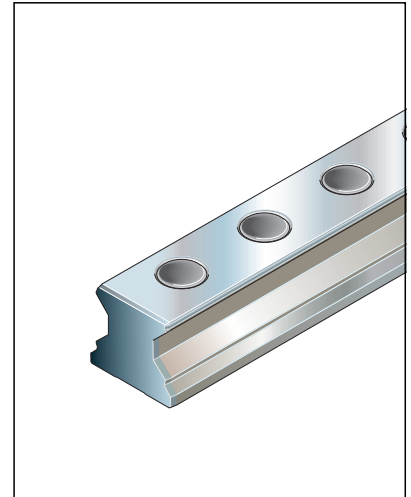
Please read the general notes on guide rails in Resist CR!

For recommended rail lengths, dimensions and weights, please refer to the corresponding standard guide rails, steel version, part numbers R1805 .5. ..

#### Notes

Plastic mounting hole plugs are also available as accessories.

For details on how to mount the plastic plugs, see "Mounting Instructions for Roller Rail Systems".



Standard Guide Rails, Resist CR version

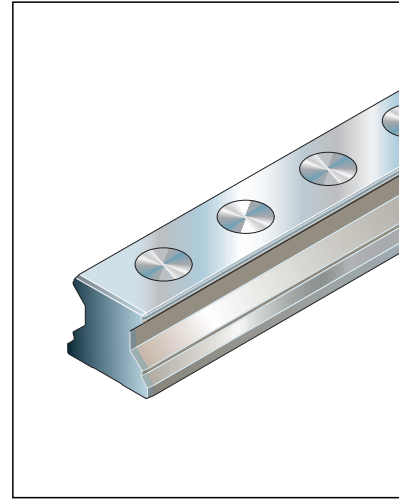
# Guide Rails for Steel Mounting Hole Plugs

## Guide rail R1846 .0. ..

For mounting from above, for steel mounting hole plugs (not included)

Size	Accuracy class <sup>1)</sup>	Guide rail	
		One-piece Part number, Rail length L (mm)	Composite Part number and number of sections, Rail length L (mm)
25	H	R1846 203 31, ....	-
		R1846 203 41, ....	R1846 203 4., ....
35	H	R1846 303 31, ....	-
		R1846 303 41, ....	R1846 303 4., ....
45	H	R1846 403 31, ....	-
		R1846 403 41, ....	R1846 403 4., ....
55	H	R1846 503 31, ....	-
		R1846 503 41, ....	R1846 503 4., ....
65	H	R1846 603 31, ....	-
		R1846 603 41, ....	R1846 603 4., ....

1) Accuracy classes P and SP on request



### Caution!

Please read the general notes on guide rails in Resist CR!  
For recommended rail lengths, dimensions and weights, please refer to the corresponding standard guide rails, steel version, part numbers R1806 .5. ..

### Notes

Corrosion-resistant steel mounting hole plugs and the mounting tool must be ordered separately. See below for part numbers.  
Please follow the mounting instructions for Roller Rail systems and for steel mounting hole plugs.

### Corrosion-resistant steel mounting hole plugs

Must be ordered separately!

For corrosion-resistant guide rails in Resist CR, we recommend using mounting hole plugs in Resist NR II (made from corrosion-resistant steel 1.4305).

Size	Single plug, Resist NR II	
	Part numbers	Weight (g)
25	on request	on request
35		
45	R1606 400 78	6
55	R1606 500 78	8
65	R1606 600 78	9

Mounting hole plugs made from machining steel (part numbers R1606 .00 75) can, however, also be used (see "Accessories").

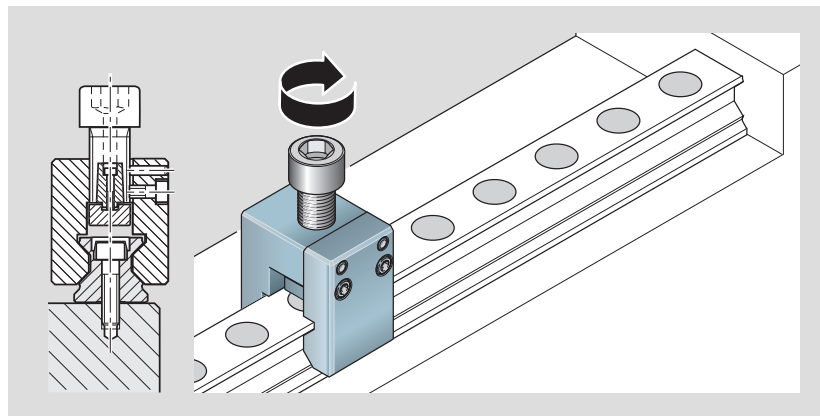
### Mounting tool for steel mounting hole plugs

Order this tool along with the plugs!

Two-piece mounting tool for fitting plugs to a screwed down guide rail.

Size	Part numbers	Weight (kg)
25	R1619 210 20 <sup>1)</sup>	0.37
35	R1619 310 30	0.57
45	R1619 410 30	0.85
55	R1619 510 30	1.50
65	R1619 610 30	1.85

1) One-piece; two-piece on request



Standard Guide Rails, Resist CR version

## Guide Rails for Mounting From Below

### Guide rail R1847 .0. ..

For mounting from below, top surface hardened

Size	Accuracy class <sup>1)</sup>	Guide rail One-piece Part number, Rail length L (mm)	Composite Part number and number of sections, Rail length L (mm)
25	H	R1847 203 31, .... <sup>2)</sup>	–
		R1847 203 41, ....	R1847 203 4., ....
35	H	R1847 303 31, ....	–
		R1847 303 41, ....	R1847 303 4., ....
45	H	R1847 403 31, .... <sup>2)</sup>	–
		R1847 403 41, ....	R1847 403 4., ....
55	H	R1847 503 31, .... <sup>2)</sup>	–
		R1847 503 41, ....	R1847 503 4., ....
65	H	R1847 603 31, .... <sup>2)</sup>	–
		R1847 603 41, ....	R1847 603 4., ....

1) Accuracy classes P and SP on request

2) One-piece guide rails with **uncoated** end faces on request (size 35 available)

### Caution!

Please read the general notes on guide rails in Resist CR!

For recommended rail lengths, dimensions and weights, please refer to the corresponding standard guide rails, steel version, part numbers R1807 .0. ..

