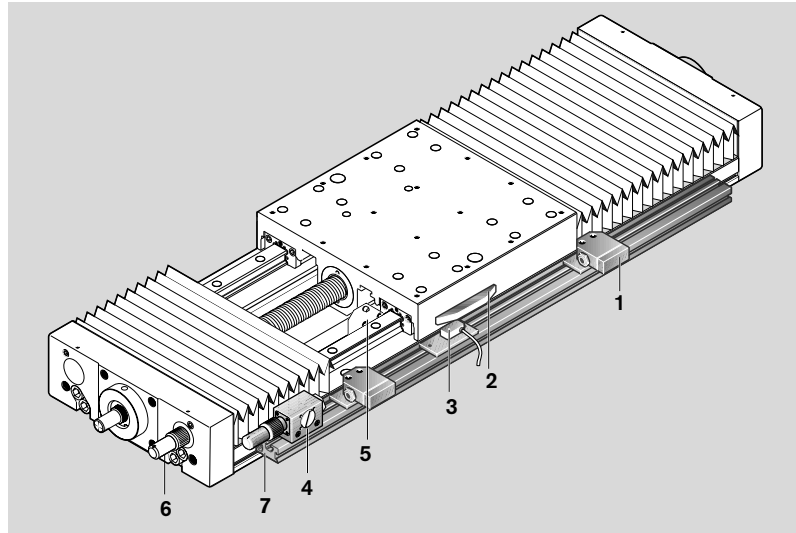


# Switch Mounting Arrangements

## Overview of switching system

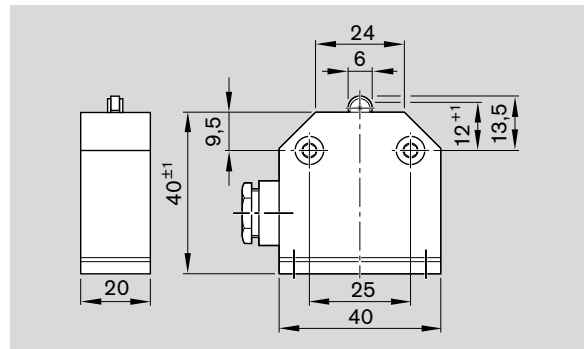
### Accessories:

- 1 Mechanical switch, external
- 2 Switching cam
- 3 Proximity switch, external
- 4 Socket-plug for external switches
- 5 Mechanical and proximity switches, internal
- 6 Socket-plug for internal switches
- 7 Profiled support



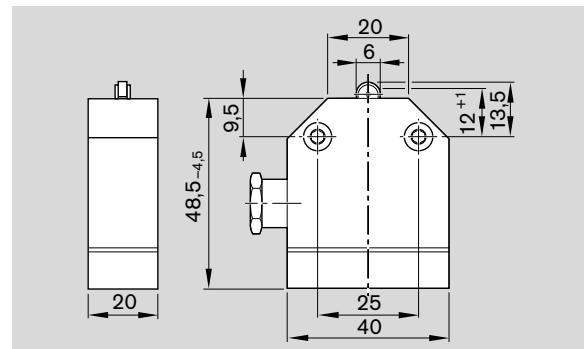
### Mechanical switch, internal

Reproducibility	= $\pm 0.05$ mm
Permissible ambient temperature	= $-5$ °C to $+80$ °C
Enclosure protection class	= DIN 40050 IP 67
Contact time	= $< 2$ ms
Insulation	= group C to VDE 0110
Rated voltage	= 250 V AC
Continuous current	= 5 A
Switching capacity at 220 V, 40-60 Hz	= $\cos\phi = 0.8$ at 2 A
Contact resistance when new	= $< 240$ m $\Omega$
Connection	= soldered connection
Contact system	= single-pole changeover
Switch system	= snap-action



### Mechanical switch, external

Reproducibility	= $\pm 0.05$ mm
Permissible ambient temperature	= $-5$ °C to $+80$ °C
Enclosure protection class	= DIN 40050 IP 67
Contact time	= $< 2$ ms
Insulation	= group C to VDE 0110
Rated voltage	= 250 V AC
Continuous current	= 5 A
Switching capacity at 220 V, 40-60 Hz	= $\cos\phi = 0.8$ at 2 A
Contact resistance when new	= $< 240$ m $\Omega$
Connection	= screw connection
Contact system	= single-pole changeover
Switch system	= snap-action

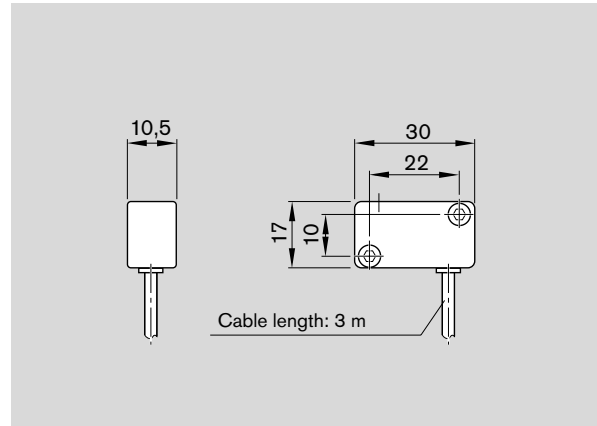


**Proximity switch, internal or external**

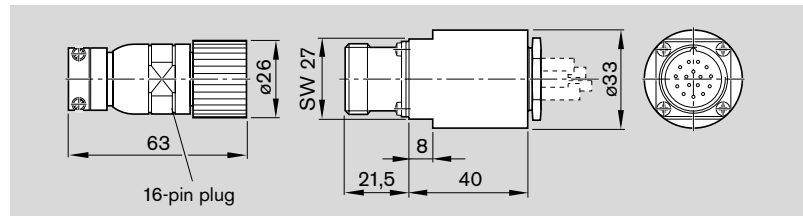
Miniature circuit-breakers with potted cable

(3 x 0.14 mm<sup>2</sup> Unitronic)

Housing form	= NO
Minisensor	= Form A DIN 41635
Voltage	= 10...30 V DC
Residual ripple	= ≤ 10 %
Load	= 200 mA
No-load current	= ≤ 20 mA
Switching frequency	= max. 1500 Hz
Temperature-related shift in make point	= ≤ 4 μm/°C
Output signal steepness	= ≥ 1 V/μs
Repeatability of make point per EN 50008	= ≤ 0.1 mm

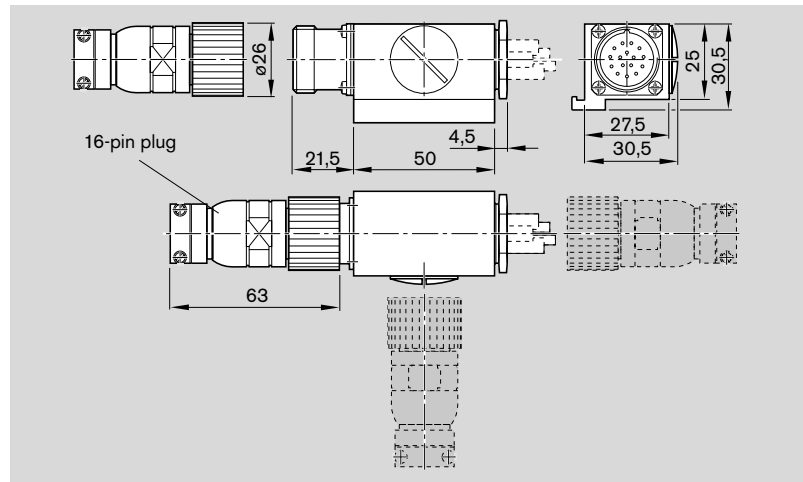
**End-plate-mounted socket and plug for internal switches**

- The socket and plug each have 16 pins.
- The socket and switch are pre-wired.
- A plug is provided.

**Externally mounted socket and plug for external switches**

- The socket and plug each have 16 pins.
- The socket and switch are not pre-wired. The switch activation points can thus be optimized during start-up.
- A plug is provided.

The plug can be mounted in three directions (see diagram).

**Cable duct**

- The cable duct will accommodate up to two cables for mechanical switches and three cables for proximity switches.
- The duct is fixed by clipping it into the T-slot on the table and is secured by tightening the fixing screws.
- The fixing screws and cable grommets are supplied with the duct.

