

Synchronous servo motors

# IndraDyn S

## MSM - for compact drives



Synchronous servo motors

**IndraDyn S ■ MSM - for compact drives**

Documentation

**High dynamics and compact design**

- torque up to 7.1 Nm
- speed up to 5,000 rpm
- Multi-turn absolute encoder
- High dynamic performance
- High performance density

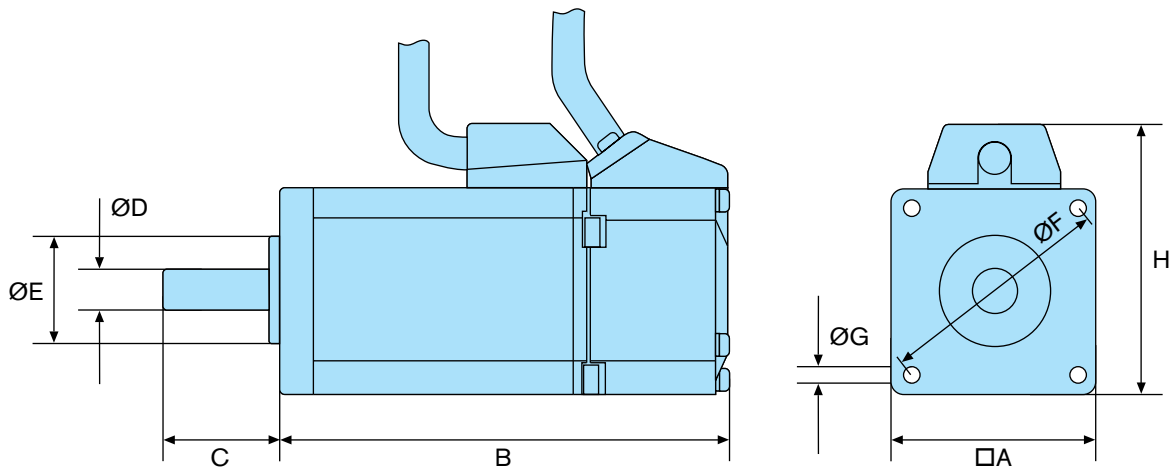
The maintenance-free MSM motors are available in five sizes rated at up to 750 W continuous mechanical power. These short-length motors feature high power density and minimized flange dimensions, making them the ideal choice in a wide range of application scenarios. The IP54 motors come with an absolute encoder and optional holding brake, and they are predestined for use with IndraDrive Cs servo drives with 3 AC 230 V line input.

**Technical data****Electrical data**

Type	Maximum speed	Torque at standstill	Maximum torque	Maximum current	Moment of inertia	
	$n_{Max}$	$M_0$	$M_{Max}$	$I_{Max}$	$J$	
	[1/min]	[Nm]	[Nm]	[A]	[kgm <sup>2</sup> ]	
MSM019A-0300	5000	0.16	0.48	3.3	0.000003	
MSM019B-0300		0.32	0.95		0.000005	
MSM031B-0300		0.64	1.91		4.9	0.000014
MSM031C-0300		1.3	3.8		7.7	0.000026
MSM041B-0300	4500	2.4	7.1	12	0.000087	

**Dimensions**

Synchronous servo motors

**IndraDyn S ■ MSM - for compact drives**

Type	A	B	C	Ø D	Ø E	Ø F	Ø G	H	Mass
	[mm]	[mm]	[mm]	[mm]	[mm]	[mm]	[mm]	[mm]	[kg]
MSM019A-0300	38	72	25	8	30	45	3.4	51	0.32
MSM019B-0300		92							0.47
MSM031B-0300	60	79	30	11	50	70	4.5	73	0.82
MSM031C-0300		98.5		14					1.2
MSM041B-0300	80	112	35	19	70	90	6	93	2.3

**Bosch Rexroth AG**

Electric Drives and Controls

P.O. Box 13 57

97803 Lohr, Germany

Bgm.-Dr.-Nebel-Str. 2

97816 Lohr, Germany

Phone +49 9352-40-0

Fax +49 9352-40-4885

[www.boschrexroth.com/electrics](http://www.boschrexroth.com/electrics)

The data specified above only serve to describe the product.

As our products are constantly being further developed, no statements concerning a certain condition or suitability for a certain application can be derived from our information. The information given does not release the user from the obligation of own judgment and verification. It must be remembered that our products are subject to a natural process of wear and aging.