

Synchronous servo motors

IndraDyn S

MKE - for potentially explosive areas



Synchronous servo motors

IndraDyn S ■ MKE - for potentially explosive areas**Documentation**

- Project Planning Manual

**Ultra-safe**

- Maximum torques up to 190 Nm
- Maximum speeds up to 9,000 rpm
- Encoder systems for a wide and diverse range of applications
- Compliance with ATEX and UL/CSA

The MKE range of motors are specifically designed for use in production plants susceptible to explosive mixtures of air and flammable gases, vapors, mist or dust.

Within the broad range of torques up to a maximum of 190 Nm, there is a choice of various sizes of motor with flameproof enclosures. Needless to say, all are ATEX certified and/or UL/CSA compliant. These motors can also be supplied with a range of options – holding brake, keyway and single- or multi-turn encoder systems.

Internationally recognized certification

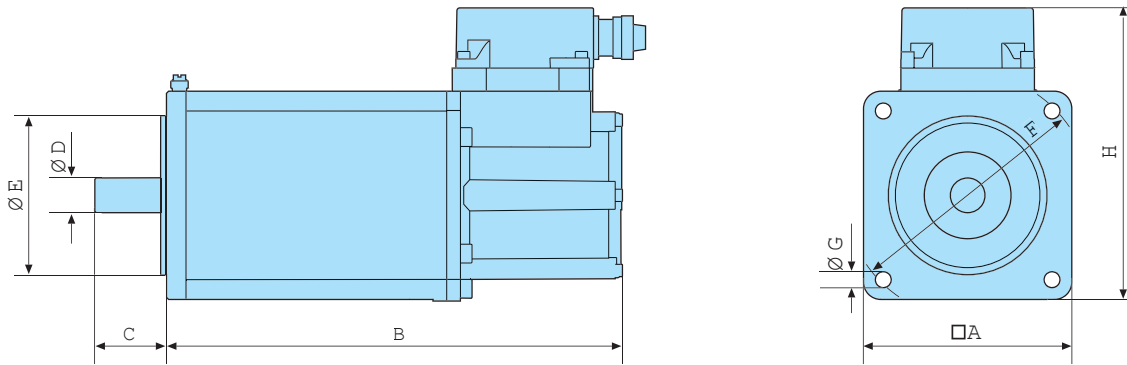
MKE motors have been certified by the German metrology institute providing scientific and technical services, the PTB Braunschweig, in accordance with Directive 94/9/EC – ATEX95 (II 2 Gd IIB T4 or rather II 2D Ex tD A21 IP6x T135°C). MKE motors based on the American standard (UL/CSA) conforming to Class I, Groups C and D as per UL508C, UL674 and UL1446, have been certified directly by Underwriters Laboratories Inc. (UL) in the USA.

Technical data**Electric data**

Type	Maximum speed	Continuous torque at standstill	Maximum torque	Continuous current at standstill	Maximum current	Moment of inertia
	n_{Max} [1/min]	M_0 [Nm]	M_{Max} [Nm]	I_0 [A]	I_{Max} [A]	J [kgm ²]
MKE037B-144	9000	0.9	4	3.3	15	0.00003
MKE047B-144	7000	2.7	11.3	5	22.6	0.00017
MKE098B-047	4500	12	43.5	9.8	44.3	0.0043
MKE098B-058	5000			12.4	55.9	
MKE118B-024	4000	28	102	15.34	69.1	0.0194
MKE118B-058	4500			28.38	127.63	
MKE118D-012	2000	48	187	13.01	58.55	0.0362
MKE118D-027	3000			22.13	99.63	
MKE118D-035				29.81	134.33	

All the specifications relate to the basic version of the motor with encoder S1 and without holding brake.
Values at 750 V DC bus and 60K temperature rise

Synchronous servo motors

IndraDyn S ■ MKE - for potentially explosive areas**Dimensions**

Type	A	B	C	$\varnothing D$	$\varnothing E$	$\varnothing F$	$\varnothing G$	H	Weight
	[mm]	[mm]	[mm]	[mm]	[mm]	[mm]	[mm]	[mm]	[kg]
MKE037B-144	60	283	20	9	40	70	4.5	123	2.5
MKE047B-144	88	287	30	14	50	100	6.6	146	5.5
MKE098B-047	144	383	50	24	110	165	11	202	18
MKE098B-058									
MKE118B-024	194	492	60	32	130	215	14	205	45
MKE118B-058									
MKE118D-012		664							65
MKE118D-027									
MKE118D-035									

All the specifications relate to the basic version of the motor with encoder S1 and without holding brake.

Bosch Rexroth AG

Electric Drives and Controls

P.O. Box 13 57

97803 Lohr, Germany

Bgm.-Dr.-Nebel-Str. 2

97816 Lohr, Germany

Phone +49 9352-40-0

Fax +49 9352-40-4885

www.boschrexroth.com/electrics

The data specified above only serve to describe the product.

As our products are constantly being further developed, no statements concerning a certain condition or suitability for a certain application can be derived from our information. The information given does not release the user from the obligation of own judgment and verification. It must be remembered that our products are subject to a natural process of wear and aging.