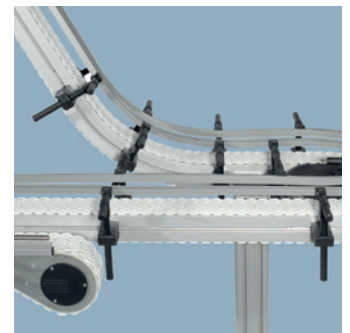
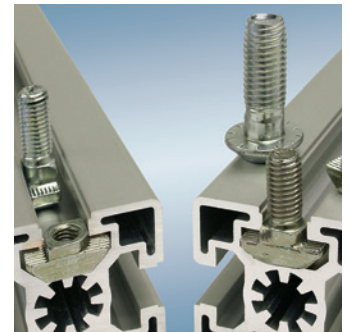


# GoTo USA Focused Delivery Program Assembly Technologies



# Aluminum Framing GoTo Catalog

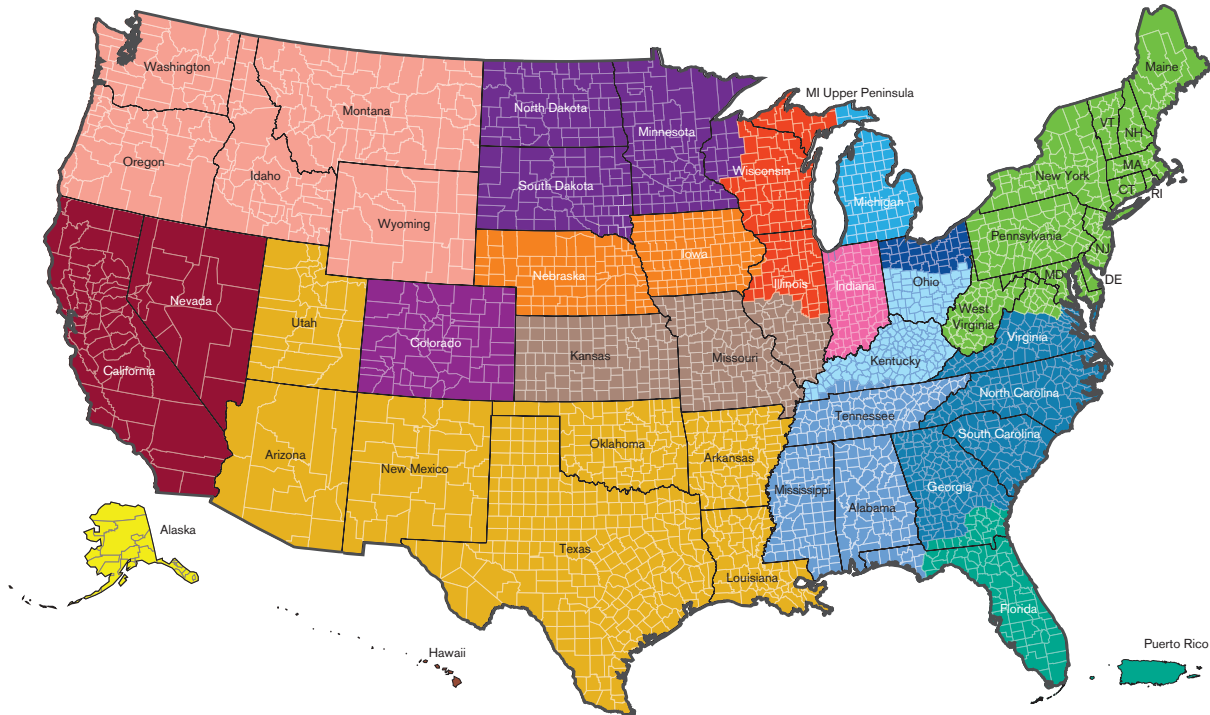
Bosch Rexroth is pleased to present aluminum structural framing as part of our GoTo Focused Delivery Program. The GoTo program provides you with fast delivery of the industry's most widely used aluminum framing products, and lets you "go to" quick reference internet pages for more information, technical

specifications and ordering details.

For additional information on the GoTo Program and a complete list of other quality Rexroth products available in the focused delivery program go to:

[www.boschrexroth-us.com/GoTo](http://www.boschrexroth-us.com/GoTo)

## Bosch Rexroth Corporation, Aluminum Framing Distributor List



**AAP Automation**  
2901 S. Tejon Street  
Englewood, CO 80110  
(303) 778-0800  
[www.aapautomation.com](http://www.aapautomation.com)

**CMA/Flodyne/Hydradyne**  
1000 Muirfield Drive  
Hanover Park, IL 60133  
(630) 563-3600  
[www.cmath.com](http://www.cmath.com)

**Iowa Fluid Power, Inc.**  
1610 Blairs Ferry Road NE  
Cedar Rapids, IA 52402  
(800) 333-7004  
[www.ifpusa.com](http://www.ifpusa.com)

**Pacific Integrated Handling, Inc.**  
10215 Portland Avenue  
Tacoma, WA 98445  
(888) 550-5888  
[www.pacificintegrated.com](http://www.pacificintegrated.com)

**Airline Hydraulics**  
3557 Progress Drive  
Bensalem, PA 19020  
(800) 999-7378  
[www.airlinehyd.com](http://www.airlinehyd.com)

**FlexMation, Inc.**  
14501 Judicial Road, Suite 50  
Burnsville, MN 55306  
(952) 898-1311  
[www.flexmation.com](http://www.flexmation.com)

**Livingston & Haven, LLC**  
11529 Wilmar Boulevard  
Charlotte, NC 28273  
(704) 588-3670  
[www.lhtech.com](http://www.lhtech.com)

**Pacific Integrated Handling, Inc.**  
928 S. 52nd Street #105  
Tempe, AZ 85281  
(888) 305-8789  
[www.pacificintegrated.com](http://www.pacificintegrated.com)

**Airline Hydraulics**  
200 Mile Crossing Blvd., Suite 1B  
Rochester, NY 14624  
(800) 477-9772  
[www.airlinehyd.com](http://www.airlinehyd.com)

**Gulf Controls Company, LLC**  
5201 Tampa W. Boulevard  
Tampa, FL 33634  
(800) 282-9125  
[www.gulfcontrols.com](http://www.gulfcontrols.com)

**MICCO**  
25831 Commerce Drive  
Madison Heights, MI 48071  
(248) 584-4440  
[www.miccolucent.com](http://www.miccolucent.com)

**Valin**  
1941 Ringwood Avenue  
San Jose, CA 95131  
(800) 774-5630  
[www.valin.com](http://www.valin.com)

**Bosch Rexroth Corporation  
Assembly Tech. Service Center**  
816 East Third Street  
Buchanan, MI 49107  
(800) 322-6274  
[www.boschrexroth-us.com](http://www.boschrexroth-us.com)

**Handling Systems, Inc.**  
106 Park South Court  
Nashville, TN 37210  
(615) 313-8620  
[www.handlingsystemstenn.com](http://www.handlingsystemstenn.com)

**MQ Automation, Mosier Div.**  
9851 Park Davis Drive  
Indianapolis, IN 46235  
(317) 895-6200  
[www.mqautomation.com](http://www.mqautomation.com)

**Valin**  
1701 E. Edinger Avenue, Bldg. J  
Santa Ana, CA 92705  
(800) 774-5630  
[www.valin.com](http://www.valin.com)

**Bosch Rexroth Corporation  
Western Regional Sales Center**  
7901 Stoneridge Drive, Suite 220  
Pleasanton, CA 94588  
(925) 227-1074  
[www.boschrexroth-us.com](http://www.boschrexroth-us.com)

**Hitech Automation**  
914 S. Highway Drive  
Fenton, MO 63026  
(636) 305-9988  
[www.hitech-automation.com](http://www.hitech-automation.com)

**MQ Automation, QCS Div.**  
1859 Section Road  
Cincinnati, OH 45237  
(513) 351-9500  
[www.mqautomation.com](http://www.mqautomation.com)

## GoTo Focused Delivery Program

The GoTo Focused Delivery Program streamlines everything to make it easier for you to get a selection of our most popular Rexroth products faster. You'll benefit from quicker access to product information, reliable lead times that meet or beat the expectations of the market, simplified pricing and enhanced

customer service. Go to our website at:

**[www.boschrexroth-us.com/GoTo](http://www.boschrexroth-us.com/GoTo)** for information on GoTo products from among all of Rexroth's technologies. It's the fastest and easiest way to get started on your next application.

**Distributed by:**

**For our complete product portfolio please visit our website at:  
[www.boschrexroth-us.com](http://www.boschrexroth-us.com) and select "Products and Solutions"  
 or call 1.800.REXROTH (739-7684)**

### GoTo Program Delivery Conditions

- Current GoTo program content and guidelines are specified at: **[www.boschrexroth-us.com/GoTo](http://www.boschrexroth-us.com/GoTo)**
  - How to Order: Please state clearly for each line item on the purchase order that GoTo lead times are required.
  - Orders for products exceeding the current program quantity limits may be acknowledged with extended delivery.
  - Items listed in this catalog will be shipped from your local distributor or Bosch Rexroth location within the time frame stated in this catalog. For urgent delivery requirements, please check with your local sales office.
  - Order via the Rexroth Distributors listed on the inside front cover.
- All items subject to prior sale. It is advisable to confirm critical delivery requirements at time of order. All sales subject to Bosch Rexroth Corporation Terms & Conditions of sales, which you can read at:  
**[www.boschrexroth-us.com/terms](http://www.boschrexroth-us.com/terms)**
- Bosch Rexroth reserves the right to make program changes at any time without notice.

#### WARNING!

Failure, improper selection or improper use of the products and/or systems described herein or of related items may cause personal injury or property damage.

This document and other information from Bosch Rexroth Corporation and its divisions provide products and/or system options for further investigation by users having technical expertise. It is important that you analyze all aspects of your application and review the information concerning the products or systems in Rexroth's Data Sheets. Due to the variety of operating conditions and applications for these products or systems, the user, through his own analysis and testing, is solely responsible for making the final selection of the products and systems, and assuring that all performance, safety and warning requirements are met.

The products described herein, including without limitation, product features, specifications, designs and pricing are subject to change at anytime without notice.



# Table of Contents

	Page No.
Profiles	7
Gussets	8
90° Connectors	9
Profile Connectors	10
T-Nuts and T-Bolts	11
T-Blocks, Springs and Swivel-in T-Blocks	12
Leveling Feet and End Caps	13
Casters	14
Foundation Brackets	15
End Caps	16
Cover Strip	17
Guarding Accessories	18
Other Accessories	19
EcoShape Tubular Framing	20
VarioFlow Modular Conveyors	21
Part Numbers	23

## Liability:

In no event can the manufacturer accept warranty claims or liability claims for damages resulting from improper use or misuse of the equipment or as a result of changes made to the equipment other than those authorized by the manufacturer. The manufacturer will accept no claim in which non-original spare parts have been used.

© 2013, Bosch Rexroth Corporation

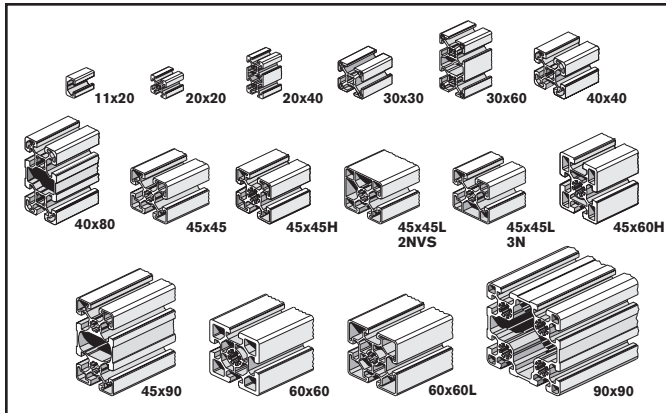
All rights are held by ROBERT BOSCH GMBH and BOSCH REXROTH CORPORATION, also regarding patent claims.

**We reserve the right to make technical changes at any time without notice.** Errors and omissions excepted.



GoTo Focused Delivery Program: Profiles

## Profiles



Rexroth offers a variety of popular *Profiles* in the GoTo program to cover most applications. These profiles are sold in full length uncut sticks in single or bundle quantities. All have T-slots on each side to making it easy to bolt together just about any structure you can imagine using Rexroth T-bolts, T-nuts and a few simple hand tools.

For complete engineering and design information:  
GoTo [www.boschrexroth-us.com/GoToProfiles](http://www.boschrexroth-us.com/GoToProfiles)

### Features:

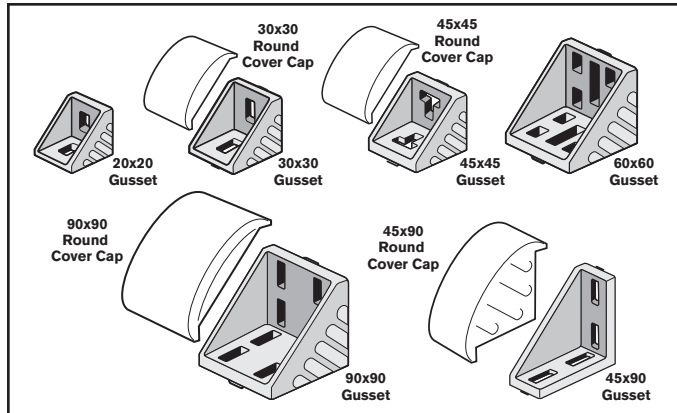
- High-strength extruded aluminum
- Natural color anodized surface
- Scratch and corrosion-resistant
- Never needs painting
- Maintenance free

### Technical Data

- Material number according to DIN (ISO)– Metric 3.3206.7 (U.S. Equivalent 6063 T6)
- Tensile strength (expected)– Metric  $R_m=250 \text{ N/mim}^2$  (U.S. Equivalent 36,000 lb/in.<sup>2</sup>)
- Brinell hardness–75HB
- Anodizing process–layer thickness–layer hardness  
Metric: E6/EV1 - 12  $\mu\text{m}$  - 300 HV  
U.S. Equivalent - R204 - (.0003 in-300HV)

GoTo Focused Delivery Program: Gussets

## Gussets



Die-cast *Gussets* connect profiles at right angles. Elongated holes allow gussets to be adjusted for position on the profile, while the alignment tabs assure proper location of the gusset in the profile T-slots. Alignment tabs can easily be removed with a flat-tip screwdriver when alignment with the T-slot is not desirable, such as when cross-connection of the profiles is required. All gussets will accept optional cover caps.

For complete engineering and design information:  
GoTo [www.boschrexroth-us.com/GoToGussets](http://www.boschrexroth-us.com/GoToGussets)

### Features:

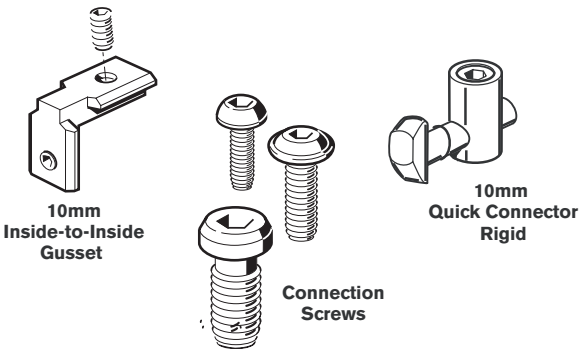
- T-slot alignment tabs for easy positioning and reduced assembly time
- Clean professional appearance
- Connects anywhere on the profile T-slot
- Optional cover caps available
- No machining of the profile required for installation
- Round Cover Caps are optional cover caps used with die-cast gussets

### Technical Data

- Gusset material: die-cast aluminum
- Gusset fasteners: zinc-plated steel
- Cover caps: black polyamide 8
- Round Cover Caps: black polyamide 6

GoTo Focused Delivery Program: Profile Connectors

## 90° Connectors

 <p><b>10mm Inside-to-Inside Gusset</b></p> <p><b>Connection Screws</b></p> <p><b>10mm Quick Connector Rigid</b></p>	<p><i>Inside-to-Inside Gussets</i> provide a clean finished appearance to your structure. No machining is required. Installs easily into the inside T-slot. Set screws included.</p> <p><i>Connection Screws</i> are self-tapping and provide a strong connection with high resistance to vibration. They only require the drilling of a small access hole to tighten the connection screw.</p> <p><i>10mm Quick Connectors/Rigid</i> quickly connect 10mm profiles at right angles. Provides fast assembly and disassembly. Requires a 17mm through hole.</p> <p><b>For complete engineering and design information: GoTo <a href="http://www.boschrexroth-us.com/GoToConnectors">www.boschrexroth-us.com/GoToConnectors</a></b></p>
---	---

### Features:

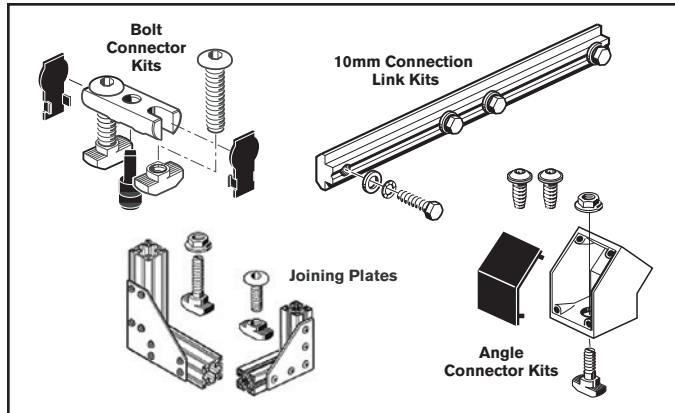
- The Inside-to-Inside Gusset uses set-screw installation, and it's easy to adjust profiles after the structure is assembled.
- The Connection Screw does not obstruct the profile T-slot and all but the M-12x30 are self-tapping.
- The 10mm Quick Connector/Rigid keeps three T-slots open for mounting panels or accessories.

### Technical Data

- Inside-to-Inside Gusset is die-cast brass
- Connection Screws and Quick Connectors are zinc plated industrial grade 8.8 steel

GoTo Focused Delivery Program: Profile Connectors

## Profile Connectors



*Bolt Connector Kits* provide the strongest right angle connection and require only 1 through hole in the profile to engage the bolt connector.

Use the *10mm Connection Link Kit* to join two pieces of profile end-to-end. The Connection Kit can be used in any 10mm T-slot and requires no machining to install.

For complete engineering and design information:  
GoTo [www.boschrexroth-us.com/GoToConnectors](http://www.boschrexroth-us.com/GoToConnectors)

### Features:

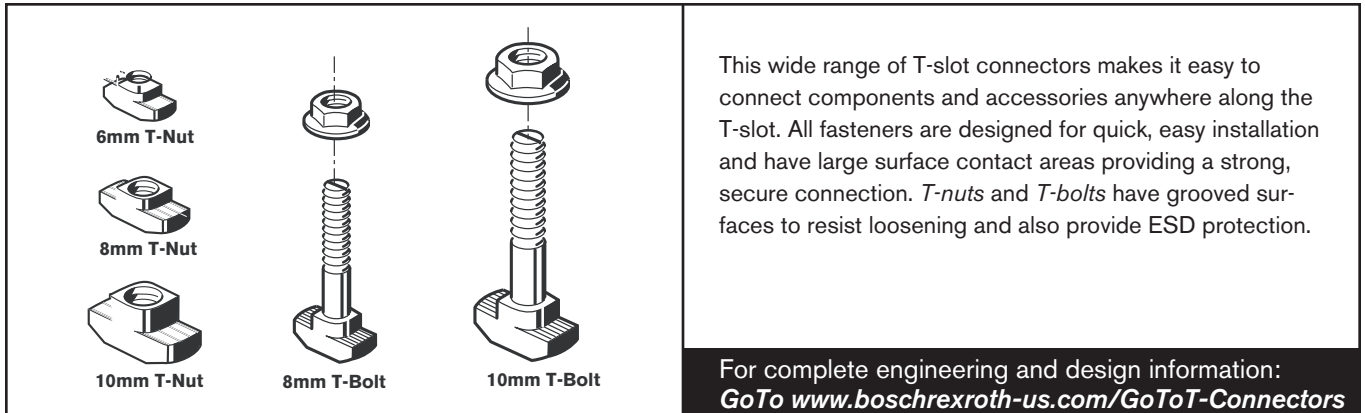
- The Bolt Connector provides the strongest connection and its centering pin makes it easy to achieve precise alignment
- A 10mm Connection Link is ideal for extending the length of a profile
- Joining Plates fasten to the outside faces of the profiles, leaving the inner T-slots free for panels or accessories
- Joining Plates can be added to reinforce a structure after initial assembly
- Three different styles of Joining Plates available in a variety of sizes
- 45° Angle Connectors connect 45x45 profiles end-to-end at a 45° angle
- 45x45 Multi-angle Connectors create a side-to-side, end-to-side, or end-to-end connection

### Technical Data

- Bolt Connectors are zinc plated industrial grade 8.8 steel
- 10mm Connection Links are zinc plated steel
- Joining Plates – 30-, 45-, and 90-series: clear anodized 6063-T6 aluminum
- 45° Angled Connectors are die-cast aluminum; cover cap is polyamide 6
- Multi-angled Connector joint components die-cast zinc, nickel-plated

GoTo Focused Delivery Program: T-Slot Connectors

## T-Nuts and T-Bolts



### Features:

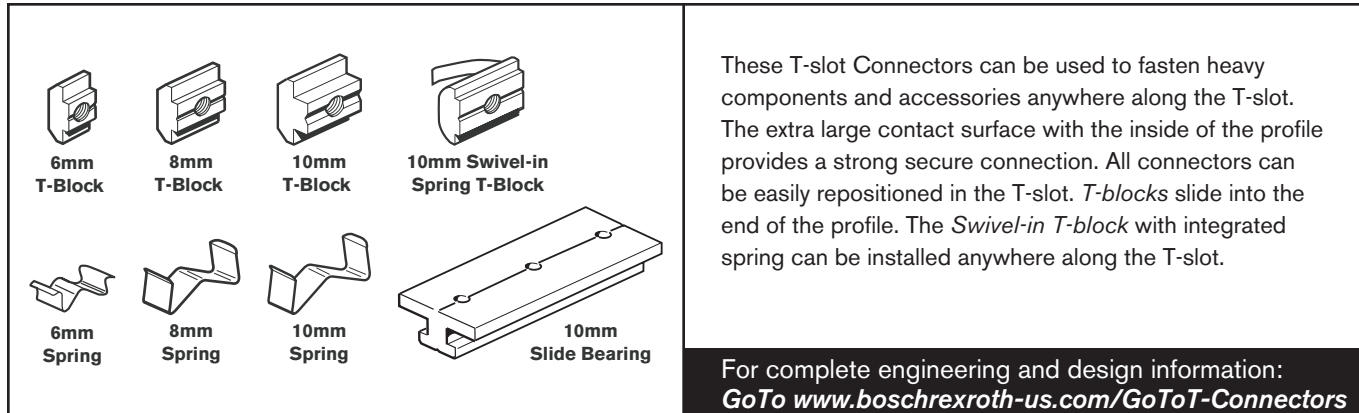
- T-nuts install anywhere along the profile T-slot, rotating and locking into position. The tapered neck simplifies assembly, and the T-nut is self-aligning in the T-slot.
- T-bolts install anywhere along the profile T-slot, rotating and locking into position. The tapered neck simplifies assembly, and the T-bolt is self-aligning in the T-slot. The positioning groove on the end of the T-bolt visually indicates when it is properly positioned in the T-slot.

### Technical Data

- T-nuts and T-bolts made of zinc plated grade 8.8 steel

GoTo Focused Delivery Program: T-Slot Connectors

## T-Blocks, Springs, Swivel-in T-Blocks, and Slide Bearings



### Features:

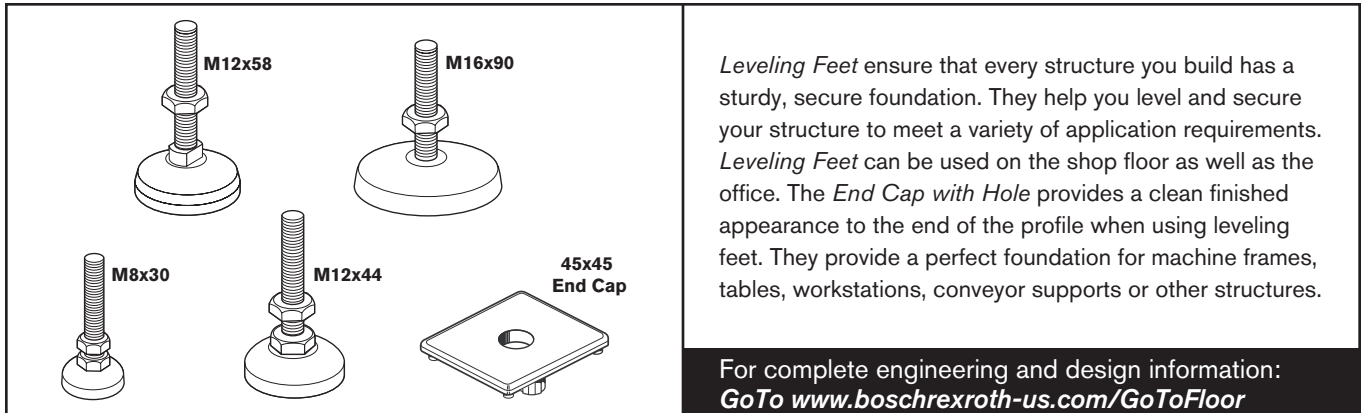
- T-blocks slide into the end of the T-slot and are used to fasten heavy loads to profiles. The extra large contact area provides a strong secure connection. Springs can be installed behind the T-blocks to hold them in place while making vertical connections.
- Swivel-in Spring T-blocks provide the same benefits as the T-blocks but can be installed anywhere along the profile T-slot. They can be repositioned in the T-slot and the integrated spring holds the connector in position while making vertical connections.
- Slide Bearings are suitable for drawers and sliding or lifting doors, and are ideal for applications where two profiles need to be moved manually along the same plane.

### Technical Data

- T-blocks and Swivel-in T-blocks made of zinc plated grade 8 steel
- Springs made of spring steel
- Slide Bearings are made with Delrin® for low friction and long service life

GoTo Focused Delivery Program: Floor to Frame Elements

## Leveling Feet and End Caps



*Leveling Feet* ensure that every structure you build has a sturdy, secure foundation. They help you level and secure your structure to meet a variety of application requirements. *Leveling Feet* can be used on the shop floor as well as the office. The *End Cap with Hole* provides a clean finished appearance to the end of the profile when using leveling feet. They provide a perfect foundation for machine frames, tables, workstations, conveyor supports or other structures.

For complete engineering and design information:  
GoTo [www.boschrexroth-us.com/GoToFloor](http://www.boschrexroth-us.com/GoToFloor)

### Features:

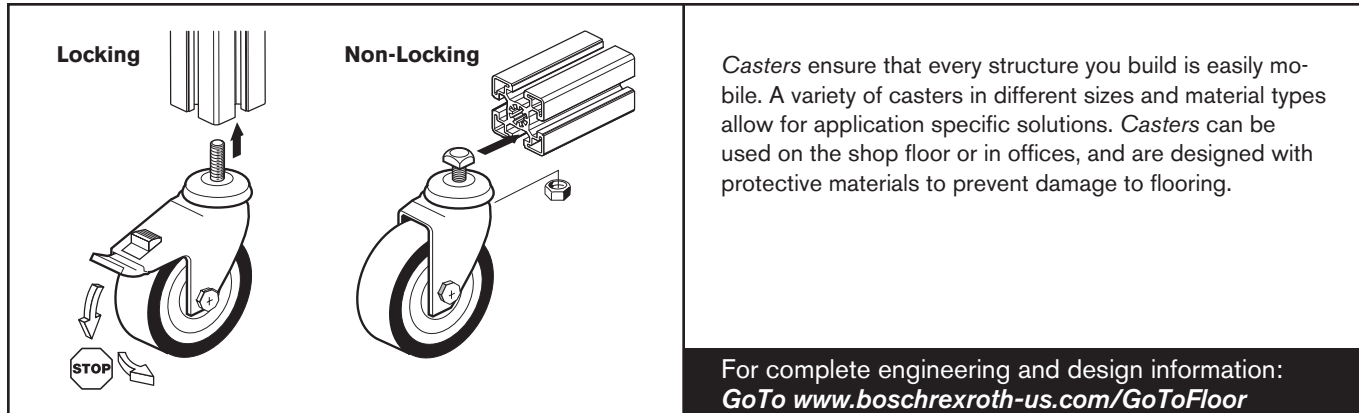
- All Leveling Feet feature bases that swivel 5° to compensate for uneven floors. The threaded shaft has a wide adjustment range to ensure levelness of any structure.
- End Caps with Holes clip easily into the ends of the profile and provide a clear through-hole for leveling foot installation.

### Technical Data

- Leveling Foot threaded shaft made of galvanized steel
- Foot made of zinc plated steel
- End Caps made of black polyamide 6

GoTo Focused Delivery Program: Floor to Frame Elements

## Casters



### Features:

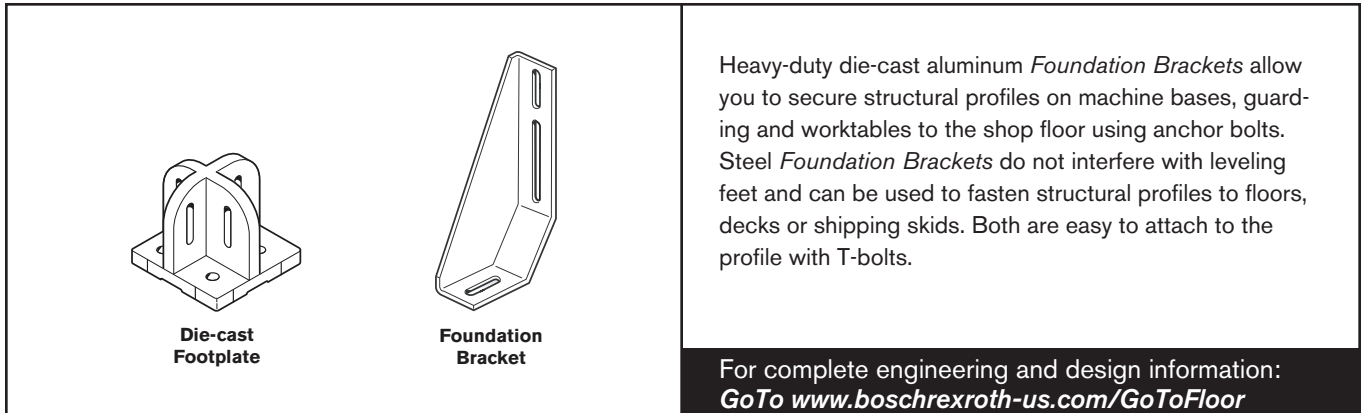
- Suitable for tool carts and small machines that must be transported from one area to another
- Available in locking or non-locking versions
- Standard width 32 mm
- Floor-protective to prevent marring of floor surfaces

### Technical Data

- TPE on polyamide rim

GoTo Focused Delivery Program: Floor to Frame Elements

## Foundation Brackets



### Features:

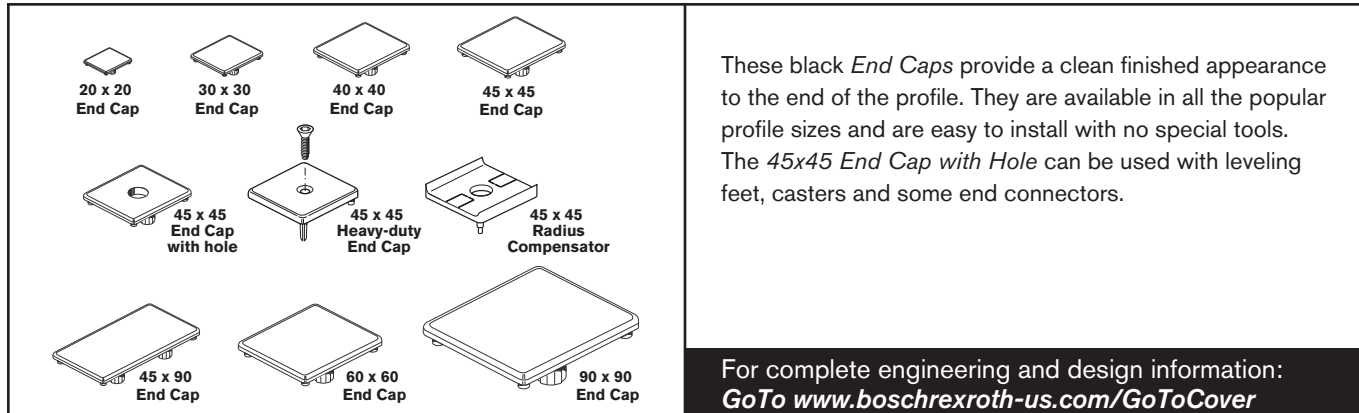
- Foundation Brackets do not interfere with leveling feet and attach directly to the profile T-slot. Available in 160mm or 210mm lengths they can easily be secured to a concrete floor with an 8mm anchor bolt, 76mm long (not included).
- The 120 x 120mm heavy duty die-cast aluminum Footplate can be used with 45 x 45, 45 x 60 and 60 x 60 profiles vertically to secure structures to the floor. Adjustment marks on the sides of the footplate align with the profile center line to aid in positioning. Profile edges fit flush with footplate to create an unobstructed walkway along the edge of the structure.

### Technical Data

- Foundation Brackets made of zinc-plated sheet steel
- Die-cast Footplates made of die-cast aluminum

GoTo Focused Delivery Program: Finishing Elements

## End Caps



These black *End Caps* provide a clean finished appearance to the end of the profile. They are available in all the popular profile sizes and are easy to install with no special tools. The *45x45 End Cap with Hole* can be used with leveling feet, casters and some end connectors.

For complete engineering and design information:  
GoTo [www.boschrexroth-us.com/GoToCover](http://www.boschrexroth-us.com/GoToCover)

### Features:

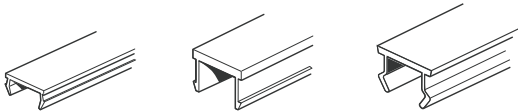
- End Caps snap-in place into the end of the profile and won't fall out accidentally.
- Heavy-duty end caps are shockproof—suitable for heavy usage
- Radius Compensators eliminate gaps and edges created when two profiles are connected in a T-junction. They are ideal for use in clean rooms or any other location where a smooth surface is a must.
- No special tools required.

### Technical Data

- End Cap material is polyamide 6
- Heavy-duty End Caps are die cast zinc; screw is zinc plated steel
- Radius Compensators are light gray polyamide

GoTo Focused Delivery Program: Finishing Elements

## Cover Strip

 <p data-bbox="233 699 329 741"><b>8mm T-slot Cover</b></p> <p data-bbox="415 699 524 741"><b>10mm T-slot Cover</b></p> <p data-bbox="602 699 745 741"><b>10mm Aluminum T-slot Cover</b></p>	<p data-bbox="862 501 1442 657">The <i>T-slot Cover Strip</i> provides a finished appearance to the profile T-slot and prevents accumulation of dirt and debris in the T-slot. Rigid PVC cover strips are 2000mm long and available in light gray or black. Aluminum cover strips are 2000mm long.</p> <p data-bbox="862 804 1425 861">For complete engineering and design information: <b>GoTo <a href="http://www.boschrexroth-us.com/GoToCover">www.boschrexroth-us.com/GoToCover</a></b></p>
---	--

### Features:

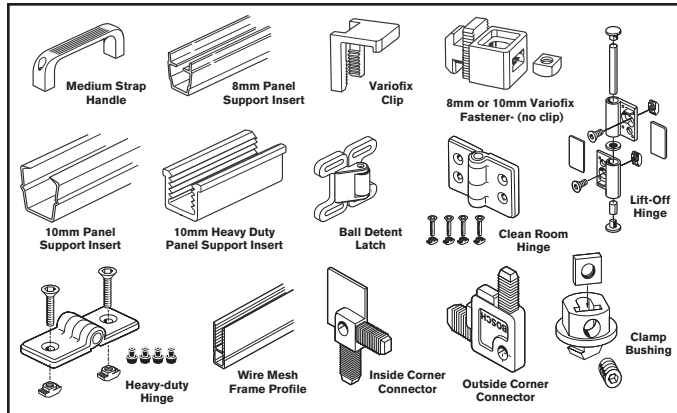
- Cover Strips install anywhere along the profile T-slot and are easy to cut to the desired length.
- Aluminum Cover Strips match profile finish for a clean finished look.
- Use to conceal wires.

### Technical Data

- Cover Strip material is Rigid PVC, 2000mm long
- Aluminum Cover Strip material is anodized aluminum

GoTo Focused Delivery Program: Other Accessories

## Guarding Accessories



It's easy to customize your structure with these accessories from Bosch Rexroth. *Strap Handles* are ideal for sliding doors and panels and attach easily to material trays or anything that uses a 10mm or 8mm T-slot. *Panel Support Inserts* make it easy to install panels or panes securely into the T-slot.

*Variofix Blocks* can be used to mount panels, panes, and plates up to 13mm thick into profiles with either 8mm or 10mm T-slots. They are easy to install and allow quick installation of the panel after the frame structure has been built.

For complete engineering and design information:  
GoTo [www.boschrexroth-us.com/GoToAccessories](http://www.boschrexroth-us.com/GoToAccessories)

### Features:

- Strap Handle fits both 8mm and 10mm T-slots. Sturdy design provides a solid grip.
- Panel Support Inserts are designed to prevent panels from shifting within the T-slot. They feature snap-in installation and can be inverted for use as a black T-slot cover strip. Inserts are 2000mm long and can be cut to fit with standard hand tools.
- Variofix Blocks can be used after the structure is completed. Simple twist lock installation in the profile T-slot provides a secure mounting surface. Panels can be secured either with the detent clip or an M6 screw (not provided) into the pre-installed M6 nut. When using an M6 screw the panel or pane must be pre-drilled.
- Ball Detent Latches provide a positive stop for sliding and swinging doors with profile frames and can be mounted directly to a panel or door for frameless doors or flaps.
- Lift-off Hinges are used to hang heavy doors on 30-, 45-, or 60-series profiles with 8mm or 10mm T-slots.
- Clean Room Hinges are used to attach parallel profiles to each other or to attach panels to structural framing.
- Heavy-duty Hinges are used for swinging and folding doors and can be used in both parallel and perpendicular profile connections
- Wire Mesh Frame Profile and Corner Connectors are used to construct safety guards, protective enclosures, slide doors, gate frameworks, etc. Corner Connectors join sections of wire mesh frame profile to create inside or outside corners.
- Clamp Bushings are an economical means to attaching wire mesh screens to profiles with 8mm or 10mm T-slots.

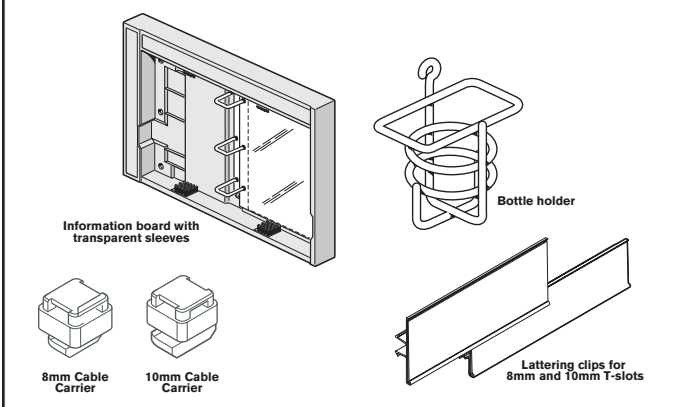
### Technical Data

- Panel Support Insert material: black polypropylene
- Variofix Block material: black polyamide
- Variofix Detent material: clear plastic
- Ball Detent Latch material: black polyamide 6
- Lift-off Hinge material: die-cast zinc; Hinge Pin material: zinc-plated steel; Cover Cap material: polyamide 6
- Clean Room Hinge material: die-cast aluminum, nickel plated
- Heavy-duty Hinges: black polyamide 6 with galvanized steel hinge pin
- Wire Mesh material: black anodized aluminum; Corner Connector material: black polyamide 6
- Clamp Bushing material: Die-cast zinc.

See Page 30 for part numbers and ordering information

GoTo Focused Delivery Program: Other Accessories

## Other Accessories



Information board with transparent sleeves

Bottle holder

8mm Cable Carrier

10mm Cable Carrier

Lettering clips for 8mm and 10mm T-slots

Workstation accessories such as *Information Boards*, *Bottle Holders* and *Lettering Clips* help maximize ergonomics and worker efficiency.

When you need to secure wires and pneumatic tubing directly to a structure install the 8mm or 10mm *Cable Carrier* at any location along the profile T-slot.

Routing cables on your 10mm T-slotted profile workstations is easy with snap-in *Cable Conduit*.

For complete engineering and design information:  
GoTo [www.boschrexroth-us.com/GoToAccessories](http://www.boschrexroth-us.com/GoToAccessories)

### Features:

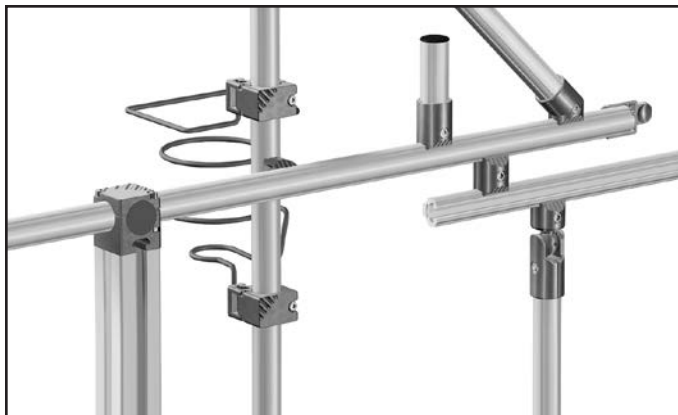
- Information boards allow display of assembly instructions, test information, and other worksite documents. They can be positioned at eye level and mounted vertically or horizontally to T-slotted profiles.
- Bottle holders keep the worktable surface clutter-free and help prevent spills.
- Lettering clips are perfect for labeling flow racks, workstations and material shuttles.
- Cable Carriers install easily anywhere along the profile T-slot with a simple twist lock connection. They can be easily removed and re-positioned as requirements change.
- Cable conduit provides an attractive and protective conduit to hold cables or electrical wires on profile structures. It easily snaps into the T-slot of 10mm T-slotted profiles. Clip-open top simplifies insertion and routing of cables even on complicated structures.

### Technical Data

- Information board material: dark gray ABS plastic
- Bottle holder material: light gray plastic-coated wire
- Lettering clip material: PVC
- Cable Carrier material: black polyamide
- Cable conduit material: black PVC plastic

GoTo Focused Delivery Program: EcoShape

## EcoShape Tubular Framing



Rexroth's tubular framing system EcoShape enables connections between square and round elements. Anodized aluminum round tube elements and intelligent, two-piece, die-cast zinc connectors make it easy to create custom workstations, material shuttles, or flow racks. EcoShape Starter Kit includes 50 standard round tube elements and 20 T-slot enabled elements in 5600 mm lengths, as well as hundreds of EcoShape connection elements.

For complete engineering and design information:  
GoTo [www.boschrexroth-us.com/GoToEcoShape](http://www.boschrexroth-us.com/GoToEcoShape)

### Features:

- Easy handling: cut and assemble on site
- Recyclable aluminum profiles
- Only 14 standard components
- ESD-conductive material
- Modular system based on the kaizen principle
- Time-saving, error-free assembly (poka yoke)
- Fast planning with MTpro software

### Technical Data

- Anodized aluminum profiles  
Material number according to DIN (ISO)– Metric 3.3206.7 (U.S. Equivalent 6063 T6)
- Round tube connectors & adapters  
Material: Diecast zinc
- Cap, D28L threaded sleeve, XLean holder adapter  
Material: PA 66, black
- Slide rail  
Material: PVC, gray

GoTo Focused Delivery Program: VarioFlow

## VarioFlow Modular Conveyors



VarioFlow is a modular, flexible chain conveyor designed for material transport. Through its modular design, VarioFlow conveyor systems provide quick system design, quick installation, and quick start-up. The VarioFlow GoTo conveyor offering is based on our best-selling 90mm wide chain platform and includes a variety of the most common modules and components. The VarioFlow GoTo conveyor offering is designed for the sale of complete VF90 conveyor systems that are small in size and require a quick delivery.

For complete engineering and design information:  
**GoTo [www.boschrexroth-us.com/GoToVarioFlow](http://www.boschrexroth-us.com/GoToVarioFlow)**

### Features:

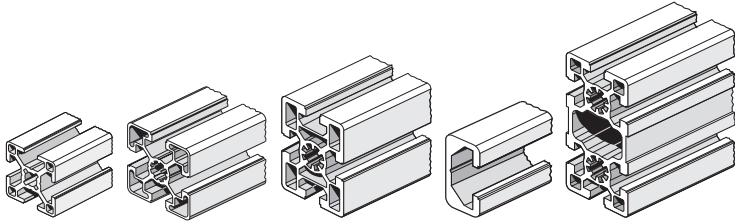
- Bolt-together construction based on Rexroth's structural aluminum framing system.
- Pre-assembled modules.
- Fast planning with MTPro and BKSSoft software packages.
- Chain tensile strength to 1250 N limits the number of required drives
- Powered by energy efficient, inverter duty Lenze gearmotors

### Technical Data

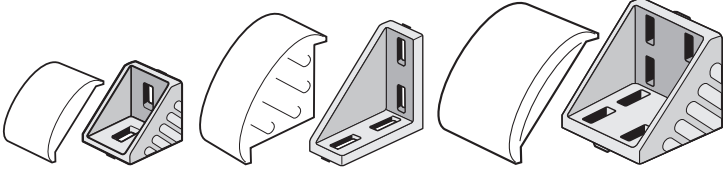
- Conveyor sections & legset material: anodized, extruded aluminum (6063 T6)
- Chain material: POM.
- Slide rail material: UHMW-PE (gray), PVDF, stainless steel
- Lateral guide: aluminum, HDPE



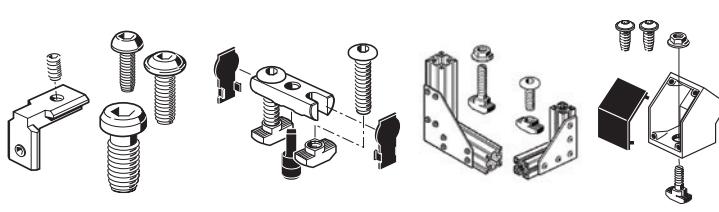
GoTo Focused Delivery Program: Part Numbers

Page Number	Description	Part Number	Maximum Quantity	Shipment (Business Days)
	 <p style="text-align: center;"><b>GoTo <a href="http://www.boschrexroth-us.com/GoToProfiles">www.boschrexroth-us.com/GoToProfiles</a></b></p> <p><b>Profiles</b></p>			
7	Profile 11x20, pkg. of 10, 2000mm long	3842513581	1	1
7	Profile 11x20, single, 2000mm long	3842513582	10	1
7	Profile 20x20, pkg. of 20, 3000mm long	3842517179	1	1
7	Profile 20x20, single, 3000mm long	3842517173	20	1
7	Profile 20x40, pkg. of 24, 3000mm long	3842537816	1	1
7	Profile 20x40, single, 3100mm long	3842517178	24	1
7	Profile 30x30, pkg. of 20, 6000mm long	3842501574	1	1
7	Profile 30x30, single, 6000mm long	3842502538	20	1
7	Profile 30x60, pkg. of 20, 5600mm long	3842512603	1	1
7	Profile 30x60, single, 5600mm long	3842512930	20	1
7	Profile 40x40, pkg. of 20, 6000mm long	3842529339	1	1
7	Profile 40x40, single, 6000mm long	3842529340	20	1
7	Profile 40x80L, pkg. of 12, 6070mm long	3842529341	1	1
7	Profile 40x80L, single, 6170mm long	3842529342	12	1
7	Profile 45x45, pkg. of 20, 6000mm long	8981004744	2	1
7	Profile 45x45, single, 6000mm long	8981004773	40	1
7	Profile 45x45H, pkg. of 20, 6000mm long	3842315100	1	1
7	Profile 45x45H, single, 6000mm long	3842507125	20	1
7	Profile 45x45L 2NVS, pkg. of 20, 5600mm long	3842506957	1	1
7	Profile 45x45L 2NVS, single, 5700mm long	3842506961	20	1
7	Profile 45x45L 3N, pkg. of 20, 5600mm long	3842506959	1	1
7	Profile 45x45L 3N, single, 5700mm long	3842506963	20	1
7	Profile 45x60H, pkg. of 20, 6000mm long	3842315122	1	1
7	Profile 45x60H, single, 6000mm long	3842507127	12	1
7	Profile 45x90, pkg. of 12, 5600mm long	3842511782	1	1
7	Profile 45x90, single, 5600mm long	3842511781	1	1
7	Profile 45x90H, pkg. of 12, 6000mm long	3842315123	1	1
7	Profile 45x90H, single, 6000mm long	3842507123	12	1
7	Profile 60x60, pkg. of 20, 6000mm long	3842315126	1	1
7	Profile 60x60, single, 6100mm long	3842507716	20	1
7	Profile 60x60L, pkg. of 20, 5600mm long	3842511872	1	1
7	Profile 60x60L, single, 5700mm long	3842511871	20	1
7	Profile 90x90, pkg. of 6, 5600mm long	3842509658	1	1
7	Profile 90x90, single, 5600mm long	3842509659	6	1
7	Profile 90x90H, pkg. of 6, 6000mm long	3842315125	1	1
7	Profile 90x90H, single, 6000mm long	3842507715	6	1

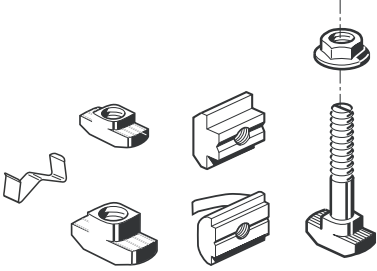
GoTo Focused Delivery Program: Part Numbers

Page Number	Description	Part Number	Maximum Quantity	Shipment (Business Days)
	 <p data-bbox="342 600 902 632"><i>GoTo <a href="http://www.boschrexroth-us.com/GoToGussets">www.boschrexroth-us.com/GoToGussets</a></i></p> <p data-bbox="250 657 358 688"><b>Gussets</b></p>			
8	20x20 Gusset Only	3842523508	100	1
8	20x20 Gusset with fasteners	3842523511	75	1
8	20x40 Gusset with fasteners	3842523520	20	1
8	30mm adjustable gusset with fasteners	3842515547	10	1
8	30x30 Gusset Only	3842523525	100	1
8	30x30 Gusset with fasteners	3842523528	100	1
8	30x30 Gusset with fasteners, 8mm to 10mm	3842523530	20	1
8	30x30 Round cover cap	3842523534	100	1
8	30x60 Gusset only	3842523538	20	1
8	30x60 Gusset with fasteners	3842523541	30	1
8	40/45 Panel mount gusset with fasteners	3842536672	20	1
8	40x40 Gusset Only	3842528967	20	1
8	40x40 Gusset with fasteners	3842529383	40	1
8	45mm adjustable gusset with fasteners	3842518424	20	1
8	45x45 Gusset Only	3842523558	250	1
8	45x45 Gusset with fasteners	3842523561	250	1
8	45x45 Round cover cap	3842523563	75	1
8	45x90 Gusset Only	3842523567	100	1
8	45x90 Gusset with fasteners	3842523570	200	1
8	45x90 Round cover cap	3842523572	200	1
8	60x60 Gusset Only	3842523546	50	1
8	60x60 Gusset with fasteners	3842523553	20	1
8	90x90 Gusset Only	3842523575	50	1
8	90x90 Gusset with fasteners	3842523578	50	1
8	90x90 Round cover cap	3842523580	50	1

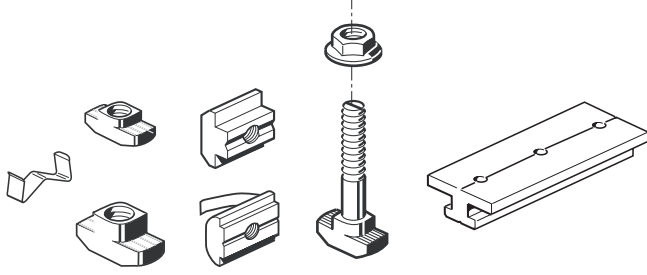
GoTo Focused Delivery Program: Part Numbers

Page Number	Description	Part Number	Maximum Quantity	Shipment (Business Days)
	 <p style="text-align: center;"><b>GoTo <a href="http://www.boschrexroth-us.com/GoToConnectors">www.boschrexroth-us.com/GoToConnectors</a></b></p> <p><b>Profile Connectors</b></p>			
9	10mm Inside-to-inside gusset (Lot size 10)	3842535571	40	1
9	10mm Inside-to-outside gusset (Lot size 10)	3842535572	20	1
9	10mm Quick Connector/Rigid, Horizontal Access (Lot size 10)	3842535466	50	1
9	10mm Quick Connector/Rigid, Vertical Access (Lot size 10)	3842535458	200	1
9	8mm Inside-to-inside gusset (Lot size 10)	3842535577	40	1
9	8mm Inside-to-outside gusset (Lot size 10)	3842535578	20	1
9	8mm Quick Connector/Rigid, Horizontal Access (Lot size 10)	3842535465	20	1
9	8mm Quick Connector/Rigid, Vertical Access (Lot size 10)	3842535459	40	1
9	M12x30 Connection screw, 8mm socket head	8981021301	300	1
9	M13x30 Connection screw, T50 Torx head	3842530235	40	1
9	S12x30 Self-tapping connection screw, 8mm socket head	8981021302	300	1
9	S12x30 Self-tapping connection screw, T-50 Torx head	3842530236	20	1
9	S6x16 Self-tapping connection screw, 4mm socket head	3842523968	300	1
9	S8x25 Self-tapping connection screw, 5mm socket head	3842523970	300	1
9	S8x25 Self-tapping connection screw, T-40 Torx head	3842527174	100	1
10	10mm Connection Link Kit, 180mm long	3842528746	10	1
10	30mm Bolt Connector Kit (Lot size 10)	3842535624	20	1
10	30mm Bolt Connector Kit 8mm to 10mm (Lot size 10)	3842535583	10	1
10	45° Angle Connector Kit – 45mm	3842535428	50	1
10	45mm Bolt Connector Kit (Lot size 10)	3842500921	100	1
10	45x45 Multi-angle Connector Kit	3842502684	50	1
10	90mm Bolt Connector Kit (Lot size 10)	3842500923	50	1
10	Stiffening Plate CRNR JN PLATE 30 SER	8981019457	10	1
10	Stiffening Plate CRNR JOIN PLT 45 SER	8981019448	10	1
10	Stiffening Plate CRNR JOIN PLT 90 SER	8981019452	10	1
10	Stiffening Plate JOIN PLATE 45 SER	8981019449	10	1
10	Stiffening Plate RCTNGR JN PLT 30 SER	8981019458	10	1
10	Stiffening Plate T-JNCTN PLT 45 SER	8981019450	10	1
10	Stiffening Plate T-JNCTN JN PLT 30 SER	8981019461	10	1
10	Stiffening Plate T-JNCTN JN PLT 90 SER	8981019455	10	1

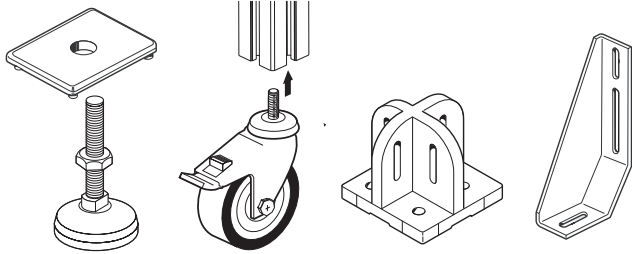
GoTo Focused Delivery Program: Part Numbers

Page Number	Description	Part Number	Maximum Quantity	Shipment (Business Days)
	 <p data-bbox="306 659 932 688"><i>GoTo <a href="http://www.boschrexroth-us.com/GoToT-Connectors">www.boschrexroth-us.com/GoToT-Connectors</a></i></p> <p data-bbox="246 716 492 745"><b>T-nuts and T-bolts</b></p>			
11	10mm Plastic T-nut, M4 threads (Lot size 100)	3842111987	100	1
11	10mm Plastic T-nut, M5 threads (Lot size 100)	3842111988	100	1
11	10mm Plastic T-nut, M6 threads (Lot size 100)	3842111989	100	1
11	10mm T-bolt fastening kit, L=1", 5/16-18	8981021555	20	1
11	10mm T-bolt fastening kit, L=14mm	8981021342	200	1
11	10mm T-bolt fastening kit, L=19mm	8981021343	300	1
11	10mm T-bolt fastening kit, L=24mm	8981021344	200	1
11	10mm T-bolt fastening kit, L=3/4", 5/16-18	8981021554	10	1
11	10mm T-bolt fastening kit, L=34mm	8981021345	100	1
11	10mm T-bolt fastening kit, L=44mm	8981021346	30	1
11	10mm T-bolt fastening kit, L=54mm	8981021347	20	1
11	10mm T-nut, 1/4" x 20 U.N.C. threads	8981021323	300	1
11	10mm T-nut, 10-32 U.N.F threads	8981021322	60	1
11	10mm T-nut, 5/16" x 18 U.N.C. threads	8981021324	200	1
11	10mm T-nut, 8-32 U.N.C. threads	8981021321	20	1
11	10mm T-nut, M4 threads	3842530281	100	1
11	10mm T-nut, M5 threads	3842530283	200	1
11	10mm T-nut, M6 threads	3842530285	300	1
11	10mm T-nut, M8 threads	3842530287	400	1
11	10mm T-nut, M8 threads, nickel-plated	8981019580	10	1
11	6mm T-nut, M4 threads	3842523135	200	1
11	8mm T-bolt fastening kit, L=14mm	8981019577	100	1
11	8mm T-bolt fastening kit, L=18mm	8981019578	100	1
11	8mm T-bolt fastening kit, L=23mm	8981019579	20	1
11	8mm T-nut, 1/4" X 20 U.N.C. threads	8981016124	50	1
11	8mm T-nut, 10-32 U.N.F. threads	8981016123	60	1
11	8mm T-nut, 8-32 U.N.C. threads	8981016122	20	1
11	8mm T-nut, M4 threads	3842501751	100	1
11	8mm T-nut, M5 threads	3842501752	100	1
11	8mm T-nut, M6 threads	3842501753	300	1
11	8mm T-nut, M6 threads, nickel-plated	8981020861	20	1
11	M8 Flange nut only for 10mm T-nut	3842345081	200	1

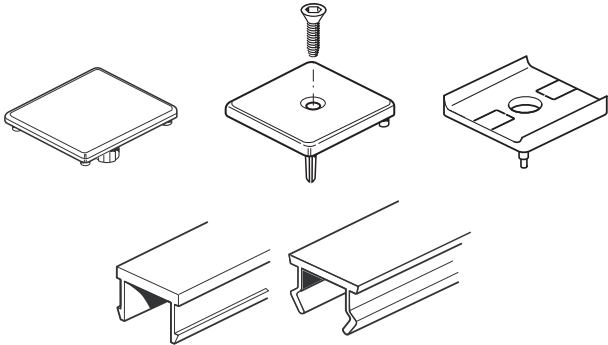
GoTo Focused Delivery Program: Part Numbers

Page Number	Description	Part Number	Maximum Quantity	Shipment (Business Days)
	 <p data-bbox="341 651 966 682"><i>GoTo <a href="http://www.boschrexroth-us.com/GoToT-Connectors">www.boschrexroth-us.com/GoToT-Connectors</a></i></p> <p data-bbox="284 703 1015 745"><b>T-Blocks, Springs, Swivel-in T-Blocks, &amp; Slide Bearings</b></p>			
12	10mm slide bearing, flat	3842530329	100	1
12	10mm Swivel-in T-block with spring M6	3842529299	20	1
12	10mm Swivel-in T-block with spring M8	3842529300	50	1
12	10mm Swivel-in T-block, M8	3842529324	20	1
12	10mm T-block, M5	3842528741	20	1
12	10mm T-block, M6	3842528738	100	1
12	10mm T-block, M8	3842528735	100	1
12	6mm T-block, M4	3842523140	100	1
12	6mm T-block, M5	3842523142	30	1
12	8mm Swivel-in T-block with spring M5	3842529296	20	1
12	8mm Swivel-in T-block with spring M8	3842529297	20	1
12	8mm Swivel-in T-block, M6	3842529320	20	1
12	8mm T-block, M4	3842514928	40	1
12	8mm T-block, M5	3842514929	50	1
12	8mm T-block, M6	3842514930	50	1
12	8mm T-block, M8	3842514931	50	1
12	Spring for 10mm T-block	3842516669	50	1
12	Spring for 6mm T-block	3842523145	40	1
12	Spring for 8mm T-block	3842516685	50	1

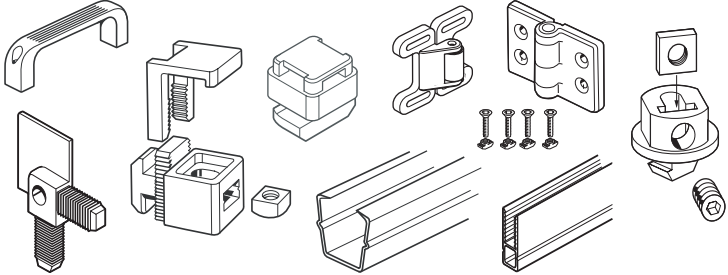
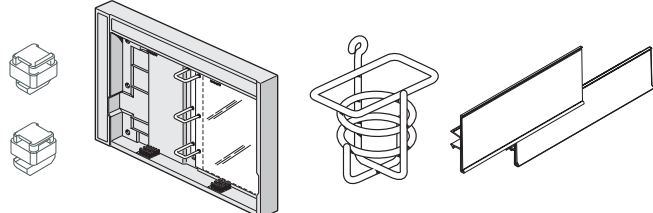
GoTo Focused Delivery Program: Part Numbers

Page Number	Description	Part Number	Maximum Quantity	Shipment (Business Days)
	 <p style="text-align: center;"><b>GoTo <a href="http://www.boschrexroth-us.com/GoToFloor">www.boschrexroth-us.com/GoToFloor</a></b></p> <p><b>Floor to Frame Elements</b></p>			
13	45x45 End Cap with hole	3842523442	20	1
13	M12x44 Leveling Foot (for 10mm T-slotted profiles)	3842352061	20	1
13	M12x58 Leveling Foot (for 10mm T-slotted profiles)	3842511893	20	1
13	M16x90x145 Leveling Foot (for 10mm T-slotted profiles)	3842311951	12	1
13	M8x30 Leveling Foot (for 8mm T-slotted profiles)	3842502257	12	1
14	Locking heavy-duty caster, 125mm, floor-protective	3842541228	20	1
14	Locking heavy-duty caster, 80mm, floor-protective	3842541226	20	1
14	Non-locking heavy-duty caster, 125mm, floor-protective	3842541236	20	1
14	Non-locking heavy-duty caster, 80mm, floor-protective	3842541234	20	1
15	120x120x110 Footplate	3842527553	12	1
15	160mm Foundation Bracket	3842146815	20	1
15	210mm Foundation Bracket	3842146848	20	1
15	210mm Foundation Bracket with mounting hardware	8981003224	20	1
15	45x180 Foundation Bracket	3842523583	10	1
15	8mm Anchor bolt, L=76mm	3842526560	20	1
15	M12x72.5 Leveling Foot, D30	3842529025	20	1


GoTo Focused Delivery Program: Part Numbers

Page Number	Description	Part Number	Maximum Quantity	Shipment (Business Days)
	 <p data-bbox="391 732 922 762"><i>GoTo <a href="http://www.boschrexroth-us.com/GoToCover">www.boschrexroth-us.com/GoToCover</a></i></p> <p data-bbox="284 789 626 821"><b>End Caps and Cover Strip</b></p>			
16	20x20 End Cap (black)	3842517243	50	1
16	30x30 End Cap (black)	3842501232	200	1
16	30x30 End Cap (light gray)	3842516506	20	1
16	40x40 End Cap (black)	3842528968	30	1
16	45x45 End Cap (black)	3842502674	300	1
16	45x45 End Cap (black) ESD	3842517058	30	1
16	45x45 End Cap (light gray)	3842517059	20	1
16	45x45 End Cap with hole	3842523442	20	1
16	45x45 Heavy-duty End Cap, 4mm thick	3842518205	250	1
16	45x45 Radius Compensator	3842524414	100	1
16	45x90 End Cap (black)	3842511783	50	1
16	60x60 End Cap (black)	3842511874	20	1
16	90x90 End Cap (black)	3842516214	20	1
17	10mm T-slot Cover strip, Aluminum, 2000mm	3842523258	50	1
17	10mm T-slot Cover strip, black PVC, 2000mm	3842146901	100	1
17	10mm T-slot Cover strip, light gray PVC, 2000mm	3842518367	50	1
17	10mm T-slot Cover strip, yellow PVC, 2000mm	3842518369	50	1
17	8mm T-slot Cover strip, black PVC, 2000mm	3842501962	50	1
17	8mm T-slot Cover strip, light gray PVC, 2000mm	3842518375	30	1

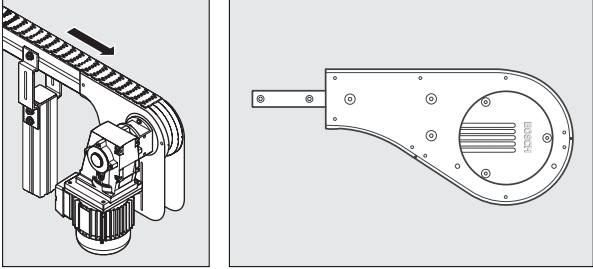
GoTo Focused Delivery Program: Part Numbers

Page Number	Description	Part Number	Maximum Quantity	Shipment (Business Days)
	 <p style="text-align: center;"><i>GoTo <a href="http://www.boschrexroth-us.com/GoToAccessories">www.boschrexroth-us.com/GoToAccessories</a></i></p> <p><b>Guarding Accessories</b></p>			
18	10mm panel support insert, 2000mm	3842518351	50	1
18	10mm Variofix Fastener without clip	3842529239	100	1
18	8mm & 10mm Variofix detent clip	3842184738	20	1
18	8mm panel support insert, 2000mm	3842518347	50	1
18	8mm Variofix Fastener without clip	3842535696	50	1
18	Ball detent latch	3842524986	50	1
18	Clean room hinge, 45-series to 45-series	3842544531	50	1
18	Heavy Duty 10mm panel support insert, 2000mm	3842146906	50	1
18	Inside corner connector	3842305768	20	1
18	Large strap handle, 8mm or 10mm T-slot	3842525766	10	1
18	Lift-off hinge	3842544554	50	1
18	Medium strap handle, 8mm or 10mm T-slot	3842525480	50	1
18	Outside corner connector	3842305767	100	1
18	Panel support base, 2000mm	3842519565	30	1
18	Panel support glazing strip, 2000mm	3842519567	30	1
18	Style 2 hinge, 45-series to 45-series	3842544505	50	1
18	Wire mesh frame profile, 3000mm long	3842305766	20	1
	 <p style="text-align: center;"><i>GoTo <a href="http://www.boschrexroth-us.com/GoToAccessories">www.boschrexroth-us.com/GoToAccessories</a></i></p> <p><b>Other Accessories</b></p>			
19	Bottle holder, ESD	3842540429	2	1
19	Cable Carrier for 10mm T-slots	3842526564	200	1
19	Cable Carrier for 8mm T-slots	3842526565	50	1
19	Cable conduit 45x45, 2000mm	3842523014	10	1
19	Information board	3842517164	2	1
19	Lettering clip 22x102mm	3842537650	20	1
19	Lettering clip 38x102mm	3842537651	20	1
19	Removable transparent sleeves (Lot size 10)	3842539839	30	1
19	Rubber profile footrest, 2000mm, ESD (Lot size 10)	3842537135	10	1

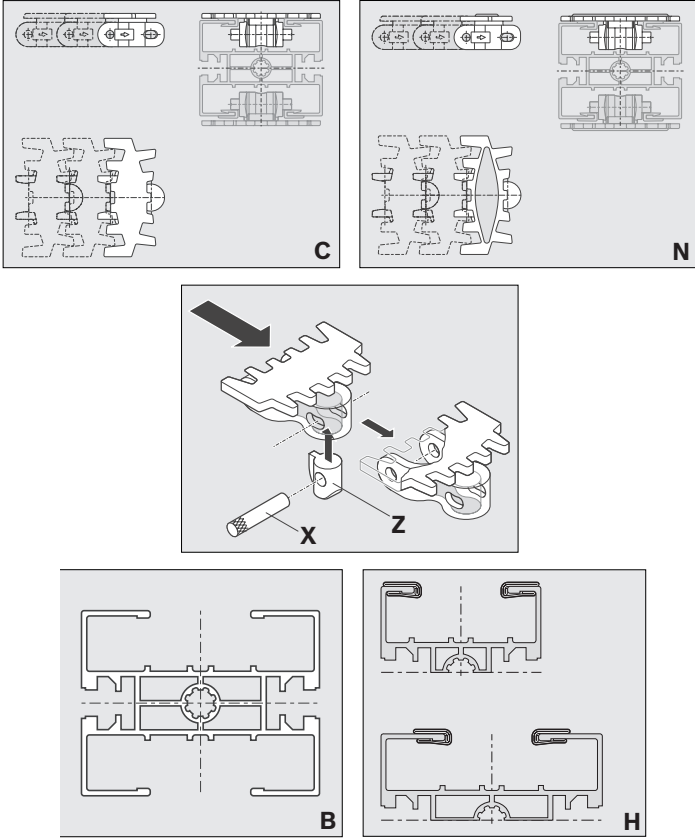
GoTo Focused Delivery Program: Part Numbers

Page Number	Description	Part Number	Maximum Quantity	Shipment (Business Days)
	 <p data-bbox="365 682 950 724"><i>GoTo <a href="http://www.boschrexroth-us.com/GoToEcoShape">www.boschrexroth-us.com/GoToEcoShape</a></i></p> <p data-bbox="284 745 641 777"><b>EcoShape Tubular Framing</b></p>			
20	Adapter, N10/30	3842541190	20	1
20	Adapter, N10/45	3842541187	20	1
20	Adapter, XLEAN Rail Holder	3842541296	20	1
20	Bumper for D28 Round Tube	3842544637	10	1
20	Cap Cover, D28L, BLACK ESD	3842541195	60	1
20	Connector, 0°-90°	3842541178	20	1
20	Connector, 45°	3842541175	20	1
20	Connector, 90°	3842541173	200	1
20	Connector, Cross	3842541181	20	1
20	Connector, Parallel	3842541183	20	1
20	Diecast Zinc VARIOFIX Block	3842543494	20	1
20	EcoShape Starter Kit	3842555000	1	1
20	N8, N10 Adapter	3842543272	20	1
20	Pipe Clamp, D28 N10	3842541193	20	1
20	Polymer VARIOFIX Block	3842543311	20	1
20	Section Tube, D28L L=5600MM	3842541212	50	1
20	Section Tube, D28L 50X5600	3842541211	1	1
20	Section Tube, D28L/N10 L=5600MM	3842541214	20	1
20	Section Tube, D28L/N10 20X5600	3842541213	1	1
20	Slide Rail, GREY L=2000MM	3842541196	10	1
20	Threaded Sleeve, D28L	3842541185	60	1

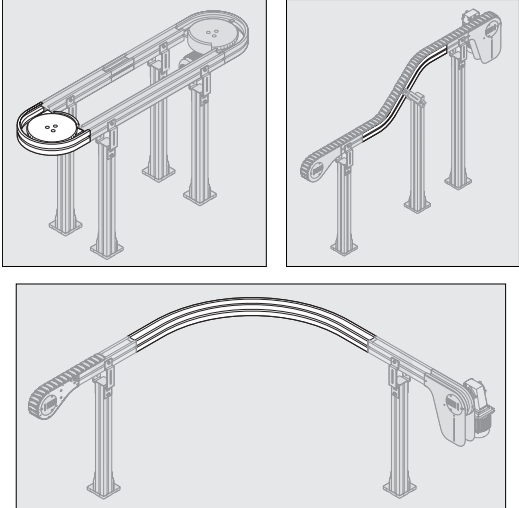
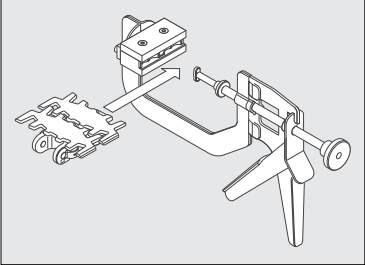
GoTo Focused Delivery Program: Part Numbers

Page Number	Description	Part Number	Maximum Quantity	Shipment (Business Days)
	 <p data-bbox="331 653 911 680"><i>GoTo <a href="http://www.boschrexroth-us.com/GoToVarioFlow">www.boschrexroth-us.com/GoToVarioFlow</a></i></p> <p data-bbox="248 709 516 737"><b>Drive &amp; Return Units</b></p>			
21	Direct End Drive, VF90 (No Gearmotor, RH)	R980801374	5	10
21	Drive Adapter VF65/90, 27Hex-25Rnd	R980554422	5	10
21	Gearmotor, 12M/Min Fixed Speed, 208-220V 60 Hz	3842532123	5	10
21	Gearmotor, 12M/Min Fixed Speed, 575V 60 Hz	3842532127	5	10
21	Gearmotor, 16M/Min Fixed Speed, 440-480V 60 Hz	3842532119	5	10
21	Return, VF90	3842531017	5	10

GoTo Focused Delivery Program: Part Numbers

Page Number	Description	Part Number	Maximum Quantity	Shipment (Business Days)	
	 <p data-bbox="367 1220 948 1247"><i>GoTo <a href="http://www.boschrexroth-us.com/GoToVarioFlow">www.boschrexroth-us.com/GoToVarioFlow</a></i></p>				
	<b>Chain &amp; Conveyor Sections</b>	<b>Illustration</b>			
21	Chain Bolt, VF65-90 Chains, Plastic	Z	3842536089	100	10
21	Chain Fastening Pin, VF65-90 Chains, SS	X	3842536240	100	10
21	Chain Link, VF90, Plain	C	3842531215	10	10
21	Chain, VF90, Friction Top, 5010mm Roll	N	3842531013	10	10
21	Chain, VF90, Plain, 5010mm Roll	C	3842531007	20	10
21	Profile Connection Link, LS10	—	3842530277	20	10
21	Profile, VF90 Closed, AL, 5600mm	B	3842528110	6	10
21	Slide Rail Rivets, VF65-90, LS100	—	3842528458	100	10
21	Slide Rail, VF65-90, PVDF, 25M Roll	H	3842528106	8	10
21	Slide Rail, VF65-90, SS, 3M	H	3842536130	16	10
21	Slide Rail, VF65-90, UHMW-PE, 25M Roll	H	3842528101	8	10

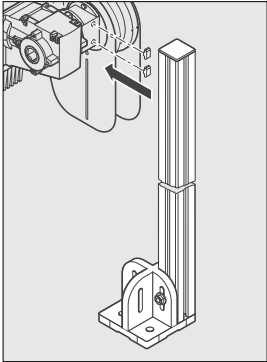
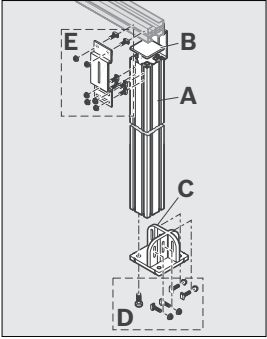
GoTo Focused Delivery Program: Part Numbers

Page Number	Description	Part Number	Maximum Quantity	Shipment (Business Days)
	 <p data-bbox="331 890 911 919"><i>GoTo <a href="http://www.boschrexroth-us.com/GoToVarioFlow">www.boschrexroth-us.com/GoToVarioFlow</a></i></p> <p data-bbox="248 947 558 976"><b>Curve Wheels &amp; Curves</b></p>			
21	Curve Wheel, VF90, 180°	3842532385	6	10
21	Curve Wheel, VF90, 45°	3842532381	4	10
21	Curve Wheel, VF90, 90°	3842532383	5	10
21	Curve, VF90, Horizontal, 30°	3842528166	2	10
21	Curve, VF90, Horizontal, 45°	3842528167	2	10
21	Curve, VF90, Vertical, 15°	3842528122	3	10
21	Curve, VF90, Vertical, 5°	3842528120	3	10
	 <p data-bbox="331 1533 911 1562"><i>GoTo <a href="http://www.boschrexroth-us.com/GoToVarioFlow">www.boschrexroth-us.com/GoToVarioFlow</a></i></p> <p data-bbox="248 1589 324 1619"><b>Tools</b></p>			
21	Chain Assembly Tool	3842527776	2	10

GoTo Focused Delivery Program: Part Numbers

Page Number	Description	Part Number	Maximum Quantity	Shipment (Business Days)	
	<p style="text-align: center;"><b>GoTo <a href="http://www.boschrexroth-us.com/GoToVarioFlow">www.boschrexroth-us.com/GoToVarioFlow</a></b></p> <p><b>Guide Rail Components</b></p>				
		<b>Illustration</b>			
21	End Plug, VF/VFS Guiderail Clamp	S	3842539826	60	10
21	Guide Rail, VF/VFS, AL, 3000MM	A	3842538830	35	10
21	Guide Rail, VF/VFS, HDPE, 3000MM	B	3842538588	35	10
21	Guiderail Bracket, VF/VFS, 2 Position	L	3842539495	30	10
21	Guiderail Bracket, VF/VFS, 4 Position	—	3842539494	30	10
21	Guiderail Bracket, VF/VFS, Upright Mount	M	3842539496	30	10
21	Guiderail Clamp, VF/VFS, Std Guiderail	P	3842539499	30	10
21	Guiderail Clamp, VF/VFS, Upright	R	3842539500	30	10
21	Guiderail Cover, HDPE, 21.5MM H, 3000MM	C	3842538209	35	10
21	Guiderail End Cap, VF/VFS	J	3842538208	40	10
21	Guiderail Locking Sleeve, VF/VFS, SS	H	3842539613	20	10
21	Spacer for Guiderail Bracket, VF/VFS, 40MM	N	3842539497	30	10

GoTo Focused Delivery Program: Part Numbers

Page Number	Description	Part Number	Maximum Quantity	Shipment (Business Days)	
	 <p style="text-align: center;"><i>GoTo <a href="http://www.boschrexroth-us.com/GoToVarioFlow">www.boschrexroth-us.com/GoToVarioFlow</a></i></p> <p><b>Legset – Drive Module</b></p>				
21	End Cap 45X45 Black, LS20	3842502674	300	1	
21	Footplate 120X120X110	3842527553	12	1	
21	Legset Fastener Kit	3842528186	12	1	
21	Profile 45X45H 6000mm	3842507125	20	1	
21	Socket Head Screw ISO4762-M6X65-8.8	2910141218	12	1	
21	T- Nut, 10, M6	3842530285	300	1	
	 <p style="text-align: center;"><i>GoTo <a href="http://www.boschrexroth-us.com/GoToVarioFlow">www.boschrexroth-us.com/GoToVarioFlow</a></i></p> <p><b>Legset – Conveyor Section</b></p>				
		<b>Illustration</b>			
21	End Cap 90X90 Black	B	3842516214	20	1
21	Footplate 150X150X120	C	3842524469	14	1
21	Legset Fastener Kit	D	3842528187	14	1
21	Profile 90X90 5600mm	A	3842509659	6	1
21	Side Support Kit, VF90	E	3842528078	14	1

GoTo Focused Delivery Program: Notes



GoTo Focused Delivery Program: Notes



# GoTo Products app: New digital tools add even more speed to GoTo Focused Delivery Program

The GoTo Products apps for iPhone® and iPad® put the power of Rexroth's GoTo Focused Delivery Program at your fingertips. Find products, connect with your distributor, get GoTo updates, and more.

For engineers and OEM project managers on the go, Bosch Rexroth has a GoTo Products app in the iTunes® App Store. It's now faster and easier than ever for Rexroth customers to browse the industry's most popular collection of products for manufacturing, automation, and machinery engineering.

The GoTo app helps users find the information they need quickly and easily: User friendly search tools make it easy to find the right technology or part number from among Rexroth's thousands of Drive & Control products and jump instantly to basic product and technical information. The app lets users build product lists and e-mail them, create "favorites" lists, view helpful product videos, and connect with Bosch Rexroth in the U.S. on Facebook, Twitter, and YouTube—all from one easy interface. And the Sync-on-Demand feature ensures that you always have the latest data.

**Bosch Rexroth's GoTo Focused Delivery Program** streamlines everything to make it easier to get a selection of Rexroth's most popular products faster. The GoTo Products app carries the program a significant step further by putting critical GoTo information at the ready, anywhere at anytime. Look for it in the iTunes App Store by searching for "Bosch Rexroth" or "GoTo Products."



For more information on our GoTo Program and the apps for iPhone® and iPad®, visit [www.boschrexroth-us.com/GoTo](http://www.boschrexroth-us.com/GoTo)



**Bosch Rexroth Corporation**

Corporate Headquarters

14001 South Lakes Drive

Charlotte, NC 28273

Telephone: 1-800-REXROTH (739-7684)

Email: [info@boschrexroth-us.com](mailto:info@boschrexroth-us.com)

Contact Us: [www.boschrexroth-us.com/contactus](http://www.boschrexroth-us.com/contactus)